



FAN SYSTEMS

PRODUCT PROGRAMME



DEDICATED TO CLEAN AIR

Sales, delivery and payment terms

1. Applicability

Applicability: These sales, delivery and payment terms (hereinafter "the Terms") apply to all offers, orders and deliveries supplied by JKF Industri A/S, CVR no. 17085204 (hereinafter "JKF") to any business customer (hereinafter "the Buyer") (hereinafter collectively referred to as "the Parties"), unless expressly agreed otherwise.

JKF cannot be bound by terms applied by the Buyer, including purchasing terms, even if JKF has not objected to such terms.

2. Information in sales materials and price lists

Details given in JKF's brochures, advertising, product descriptions, price lists etc. on capacity, resistance to wear, performance, technical data, dimensions, weight or the like are not binding on JKF. We cannot be held responsible for printing errors and model changes.

3. Quotes

All quotes are given subject to the goods being unsold. If JKF provides a quote that does not stipulate a specific time for acceptance, the quote will expire automatically if the Buyer's confirmation is not received by JKF within 30 days of the date of the quote.

4. Prices

All prices are in DKK and ex-VAT, customs and other duties, packaging, freight costs and insurance and all other costs to be borne by the customer.

Prices are stated in EUR exclusive of the aforementioned costs for Buyers located in countries, which are members of the European Economic and Monetary Union (the Euro).

Unless otherwise stated on JKF's quote or order confirmation, JKF reserves the right to revise prices – even after issuing and order confirmation – in the event of increased production costs and the like.

All orders worth less than DKK 1500 (excluding the above costs) are subject to an administration fee of DKK 225.

5. Payment terms

JKF is entitled to issue an invoice when delivery is complete. Payment terms are current month + 20 days net calculated from the date of invoice unless otherwise agreed in writing.

JKF obtains credit insurance for all customer receivables. If the Buyer's credit fails to be approved, JKF is entitled to demand prepayment or alternative guarantee.

If payment is made after the due date and the delay is no fault of JKF, JKF is entitled to charge interest on the sum outstanding as from the due date, at a rate equivalent to 2% per month or part thereof.

The Buyer is not entitled to offset any counter-claims against JKF unless expressly agreed in writing by JKF, and does not have the right to withhold any of the purchase sums by reason of counter-claims of any kind.

6. Right of ownership

For Buyers in the United Kingdom: The goods shall remain the property (i.e. title) of JKF until: (i) the full price for them is paid; and (ii) all sums for any other goods or services then properly due and payable from the Buyer are paid to JKF. JKF may at any time attribute any money received by it from the Buyer in any order as JKF may decide. Until such payment, the Buyer shall hold the goods on a fiduciary basis as the bailee or depository of JKF, and shall not dispose of them. However, subject to JKF's prior written consent, the Buyer may on the Buyer's own account sell the goods to any customers but shall not do so after any step is taken or made for any composition or arrangement with creditors generally, liquidation, winding-up, dissolution, administration, receivership or bankruptcy of the Buyer.

If any such step occurs, or JKF reasonably expects that such a step is soon to occur, or any payment due to JKF from the Buyer becomes overdue, JKF may by written notice terminate the Buyer's right (if any) to sell the goods and JKF may then recover such goods and for that purpose enter any premises, subject to the Buyer's continued liability to pay the price for the goods. If the item has been sold with a view to later being built into or joined to other objects, the item sold is not covered by the right of retention once such installation or joining has taken place.

JKF reserves the right within the limitations of mandatory laws to retention of title to the item sold until payment for the entire purchase sum, plus any costs incurred, has been made to JKF. If the item has been sold with a view to later being built into or joined to other objects, the item sold is not covered by the right of retention once such installation or joining has taken place.

For Buyers in Germany*: All goods delivered by JKF – including future deliveries – remain our property until all receivables arising from the business relationship between JKF and the buyer are fully paid (reserved goods)

The buyer has the right to resell the reserved goods in the ordinary course of business; the buyer has already transferred to JKF all receivables from resale to customers or third parties in the amount of our invoice incl. VAT, regardless of whether the reserved goods were resold, processed or unprocessed. JKF accepts the transfer.

Until the buyer recovers the claim, the buyer retains the right to purchase. JKF reserves the right to cancel this right if the buyer fails to meet his payment obligations. In this case, the buyer agrees to inform the seller about the transferred receivables and their debtors, to share information necessary for

recovery and to provide the documents necessary for implementation, as well as to inform the buyers about the transfer.

Processing of the reserved goods is carried out by the buyer on our behalf, without any obligations arising for JKF. By processing, connecting, or combining the reserved goods with non-JKF goods, JKF is entitled to the resulting co-ownership share in the new product in proportion to the invoice value of the reserved goods. The buyer stores the new product for JKF free of charge.

To protect our claims against the buyer, the buyer also transfers to JKF any claims against a third party that arise in connection with the reserved goods; we have already accepted the transfer.

In the event of a breach of contract by the buyer, JKF reserves the right to reclaim the reserved goods; the buyer agrees to return them. Such return of the reserved goods does not correspond to withdrawal from the contract unless JKF declares this in writing.

The buyer is obliged to insure the reserved goods properly at his own expense against theft, breakage, fire and water damage.

* The original version of this paragraph is in German. In the event of discrepancies between the German and English versions, the German version will take preference.

For Buyers outside the United Kingdom or Germany:

JKF reserves the right within the limitations of mandatory laws to retention of title to the item sold until payment for the entire purchase sum, plus any costs incurred, has been made to JKF. If the item has been sold with a view to later being built into or joined to other objects, the item sold is not covered by the right of retention once such installation or joining has taken place.

7. Delivery

The delivery clause agreed between the Parties is to be interpreted in accordance with the INCOTERMS current at the time of signing the agreement.

The delivery date is set by JKF according to best judgement, and if it cannot be observed, the Buyer will be informed accordingly, with when, as far as possible, delivery can be expected to take place. Any delay does not give the Buyer the right to cancel the sale and/or claim any form of financial compensation from JKF.

8. Environmental fee

All orders are subject to an environmental fee of 2.2 % of the order value.

Packaging may only be returned by prior written agreement. Return of packaging is at the Buyer's own expense and risk. The Buyer's packaging will be credited when received and upon final approval by JKF that it is in much the same condition as when delivered to the Buyer.

9. Product information and confidentiality

All illustrations, technical drawings and brochures issued by JKF before or after the contract have been entered into remain the property of JKF and must be returned to JKF on request. Such materials must be treated with strict confidentiality and cannot be used, copied or passed on without written agreement, or abused in any other manner.

The Buyer undertakes to generally observe confidentiality concerning all aspects of JKF known to the Buyer as a result of the information the Parties have exchanged in the course of their dealings.

Breach of this provision by the Buyer shall incur a fine payable to JKF of DKK 75,000. The fine shall be payable for each breach of the provision, and if the breach consists of continuation of a previous breach, the fine shall be payable for each 14 day period of continuation or part thereof. Payment of a fine shall not relieve the Buyer of the above obligations, nor prevent or constrain JKF from claiming compensation for any loss JKF may have incurred arising from the breach, in that payment of the fine by the Buyer shall not be included in calculation of JKF's loss. In addition to the above, JKF is entitled to take out an injunction.

10. Liability for defects and deficiencies and warranty claims

Upon delivery, the Buyer shall immediately perform a thorough examination of the goods, including quantity and specifications.

Should the Buyer wish to claim for any defects or deficiencies, including with regard to the quantity or specifications delivered, which the Buyer has or should have discovered in the course of thorough examination of the goods, a written claim shall be submitted to JKF immediately after delivery. JKF is entitled to reject any claims received after the expiry of the deadline stated above.

JKF warrants performing redelivery/remedy of goods which are defective or deficient due to material or manufacturing error for goods which the Buyer has not nor should have discovered by thorough examination for a period of 12 consecutive months after delivery.

However, the Buyer shall submit a claim to JKF immediately if discovering such defects or deficiencies.

Defective or deficient goods will either be remedied or replaced within a reasonable period of time at JKF's discretion. Modification/interference with the goods without JKF's written consent releases JKF from any obligation.

Remedy/redelivery by JKF of elements of a delivery shall be on the same terms and conditions as for the original delivery, including those stated in item 7. JKF's obligation to remedy or redeliver does not, however, apply to any part of an order more than 1 year after delivery to the Buyer.

Once liability for the order has been transferred to the Buyer, JKF bears no responsibility for any defects over and above the obligations specified in this provision.

11. Force majeure

JKF cannot be held liable for non-fulfilment of its undertakings, nor for loss incurred by the Buyer due to unusual circumstances that prevent, inhibit or add extra cost to fulfilment of the contract, and that are beyond JKF's control, including industrial disputes, strikes, lockout, fire, war, mobilisation, unforeseen military call-up, acts of sabotage, requisitioning, confiscation, currency restrictions, import ban, export ban, riots, unrest, extreme weather conditions, fuel shortage and major increases in prices or taxes/duties, general scarcity of goods, restrictions in power supplies and defects in deliveries from sub-suppliers or delays with such deliveries as a result of any of the aforementioned circumstances.

It should be specifically noted that the above is not an exhaustive list of examples, and there may be other examples that come under limitation of liability.

If delivery is temporarily delayed by one or more of the aforementioned circumstances, the delivery date will be correspondingly postponed. If delivery is prevented for more than 12 weeks, JKF is entitled to cancel the relevant contract without liability.

12. Returns

Items sold can only be returned by prior written agreement, and upon obtaining a returned goods order number. Returns will be at the Buyer's expense and risk and should include JKF's invoice number and the date of the original delivery.

Returned goods will only be credited by prior agreement and subject to approval of the goods returned. Custom-made goods will not be credited. If JKF is charged for shipping costs etc., JKF is also entitled to demand these be refunded by the Buyer and to offset these against any claims by the Buyer against JKF.

13. Product liability

JKF's product liability is subject to the rules of Danish law on product liability with the limitation specified in item 12 (limitation of indirect loss and of cover in accordance with insurance cover).

JKF cannot be held liable for operating loss, loss of profit, loss of useful value, loss of business opportunities, lost savings or other indirect loss or consequential damages in connection with product liability. To the extent that product liability may be imposed on JKF with regard to third parties, the Buyer is obliged to compensate JKF to the same extent that JKF's liability is limited as per the above. These limitations to JKF's liability do not apply if JKF is guilty of gross negligence. If a third party puts forward a claim against one of the Parties for compensation with reference to this point, that party must immediately inform the other party. The Buyer can be sued at the same court that handles any claims for compensation against JKF, in consequence of damage alleged to have been caused by one of JKF's deliveries. JKF's liability for product damage shall always be limited to the remaining insurance cover.

14. Limitation of liability

Notwithstanding the above, JKF cannot be held liable for any indirect loss such as operating loss, loss of profit, loss of useful value, loss of business opportunities, lost savings, consequential loss, loss of time etc., which a defect or deficiency could cause the Buyer or a third party, including indirect loss etc., arising as a result of delayed delivery or defects/deficiencies in the goods sold.

15. Invalidity

Should one or more of the provisions in these terms be deemed invalid, illegal or non-applicable, the validity, legality or applicability of all other provisions shall not be affected or lessened as a result thereof.

16. Jurisdiction and court of venue

All disputes between the parties shall be settled under Danish law including the Danish Sale of Goods Act, but with the exception of Danish jurisdiction rules. The International Sale of Goods Act (CISG) shall neither be wholly nor partially applied.

Any dispute regulated by the terms shall be resolved by arbitration at the Danish Institute of Arbitration, according to the institute's rules, which apply when an arbitration case is brought with the amendments stated below.

However, the Parties agree that the arbitration tribunal shall consist of 3 members, of whom each party will appoint one member, and the Danish Institute of Arbitration will appoint the tribunal chairman. If a party fails to appoint a member within 14 days of being requested to do so by the Danish Institute of Arbitration, the institute will appoint a member on behalf of that party.

The tribunal shall sit in Hadsund.

The original version of this document is in Danish. In the event of discrepancies between the Danish and English versions, the Danish version will take preference.

Table of contents

Section 00. General

Sales, delivery and payment terms.....	Page 02
Table of contents.....	Page 03
Fan types.....	Page 04
Fan selection.....	Page 05 - 07
How to read fan graphs.....	Page 08

Section 01. Fan types JK-20D - JK-40D

Fan types JK-20D - JK-40D general.....	Page 09
Fan type JK-20D.....	Page 10
Fan type JK-22D.....	Page 11
Fan type JK-25D.....	Page 12
Fan type JK-30D.....	Page 13
Fan type JK-35D.....	Page 14
Fan type JK-40D.....	Page 15

Section 02. Fan types JK-30K - JK-75K

Fan types JK-30K - JK-75K general.....	Page 16
Fan type JK-30K.....	Page 17
Fan type JK-40K.....	Page 18
Fan type JK-45K.....	Page 19
Fan type JK-55K.....	Page 20
Fan type JK-75K.....	Page 21

Section 03. Fan types T-200-300D / T200-300

Fan types T-200-300K / T-200-300D general.....	Page 22
Fan type T-200K and T-200D.....	Page 23 - 24
Fan type T-300K and T-300D.....	Page 25 - 26

Section 04. Fan types JK-30MTDP - JK-90MTDP

Fan types JK-30MTDP - JK-40MTDP - JK-50MTDP.....	Page 27
Fan type JK-30MTDP.....	Page 28
Fan type JK-40MTDP.....	Page 29
Fan type JK-50MTDP.....	Page 30
Fan types JK-60MTDP - JK-70MTDP - JK-80MTDP - JK-90MTDP.....	Page 31
Fan type JK-60MTDP.....	Page 32
Fan type JK-70MTDP.....	Page 33
Fan type JK-80MTDP.....	Page 34
Fan type JK-90MTDP.....	Page 35

Section 05. Fan types JK-30MTD - JK-90MTD

Fan types JK-30MTD - JK-50MTD general.....	Page 36
Fan type JK-30MTD.....	Page 37
Fan type JK-40MTD.....	Page 38
Fan type JK-50MTD.....	Page 39
Fan types JK-55MTD and JK-90MTD general.....	Page 40
Fan type JK-55MTD.....	Page 41
Fan type JK-60MTD.....	Page 42
Fan type JK-70MTD.....	Page 43
Fan type JK-80MTD.....	Page 44
Fan type JK-90MTD.....	Page 45

Section 06. Fan types JK-30MT - JK-100MT

Fan types JK-30MT - JK-100MT general.....	Page 46
Fan type JK-30MT.....	Page 47
Fan type JK-40MT.....	Page 48
Fan type JK-50MT.....	Page 49
Fan type JK-60MT.....	Page 50
Fan type JK-70MT.....	Page 51
Fan type JK-80MT.....	Page 52
Fan type JK-90MT.....	Page 53
Fan type JK-100MT.....	Page 54

Section 07. High-pressure fans type JK-HT Injectors and feeder units

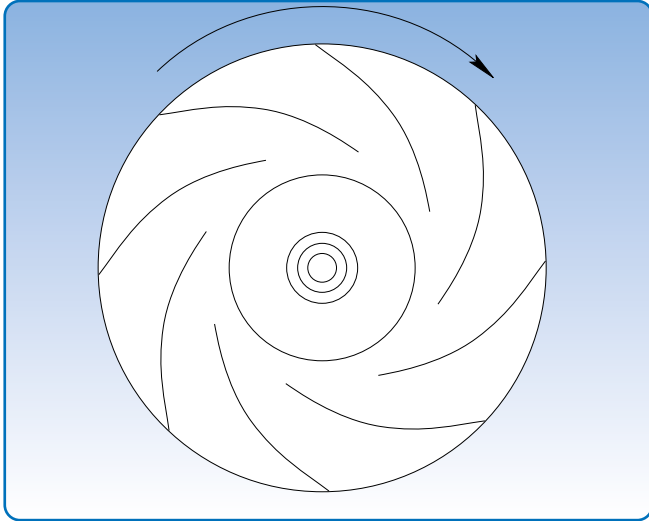
High-pressure fans type JK-HT.....	Page 55 - 56
Injectors and feeder units.....	Page 57

Section 08. Accessories

Flanges.....	Page 58
Flexible connections.....	Page 59
Acoustic booths type AB.....	Page 60 - 61
Duct silencers \varnothing 100 - \varnothing 1250 mm.....	Page 62 - 63
Vibration dampers, cooling wings, gaskets, pullers.....	Page 64 - 65



Fan types



Radial fan with P-impeller

General

Resistance occurs in all forms of air transport due to friction which means that overall pressure is reduced in the flow direction. To effect and maintain air transport, pressure has to be increased at some stage to compensate for pressure loss. This is usually achieved in fan systems using radial and axial fans designed to boost air flow in the direction of the outlet.

Definitions

Static pressure: P_s
Dynamic pressure: P_d
Total pressure: P_t

Static pressure is designated positive or negative depending on whether there is over or under pressure in the duct. On the other hand, dynamic pressure is always positive and depends on the speed of the air in the duct.

Total pressure must always be equal to the sum of the static and dynamic pressure at the measurement point, which can be expressed as:

$$P_t = P_s + P_d$$

Volume flow

A fan's effect is always based on actual volume flow through the inlet. If the volume flow is indicated at a temperature different to that at the fan in a given operating situation, it must be corrected.

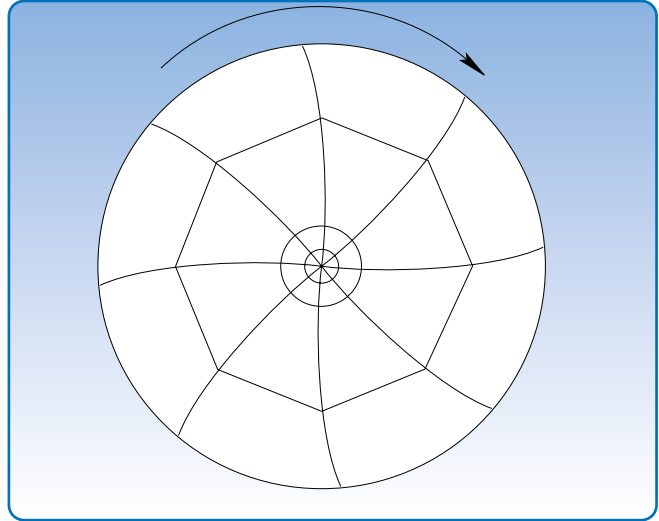
Temperatures

Surrounding temperature $-20\text{ }^{\circ}\text{C}$ to $+40\text{ }^{\circ}\text{C}$

The temperature limits of the transport medium are indicated under the fan type. The graphs indicate $20\text{ }^{\circ}\text{C}$. Fans can be used for temperatures up to $60\text{ }^{\circ}\text{C}$ without physical modification.

At temperatures other than $20\text{ }^{\circ}\text{C}$, the air density is changed. This means it may be necessary to adjust the min^{-1} . At temperatures over $20\text{ }^{\circ}\text{C}$ the fan will generally be giving reduced effect in relation to the rise in temperature.

For high temperatures, the following should be taken into consideration: bearings and lubricant - whether the fan should be fitted with cooling wings - whether the motor should be supplied with extra cooling (particularly important for frequency regulation). For temperatures in excess of $60\text{ }^{\circ}\text{C}$, extra cooling is required.



Radial fan with T-impeller

Fan types

Motors and fans are usually supplied as a unit. JKF has designed its fans for optimal performance, and it is vital to select the right one for any given task. The speed at which the fan is to run can be seen from the graph for that fan. The power input required depends on resistance in the system.

There are many types of fan impeller, each of which is designed for a given task:

- Radial fan with P-impeller
- Radial fan with T-impeller

Radial fan with P-impeller

Has flat backward-inclined blades and is designed for clean air transport. This type has the following properties:

- High efficiency
- Robust construction
- Only small variations in volume flow if resistance fluctuates.

Radial fan with T-impeller

Has backward-inclined blades and is designed for transport of a range of materials. This type has the following properties:

- Medium and high-pressure versions
- Robust construction
- High degree of self-cleaning
- Can handle large material volumes
- Special version available for transport of plastic and paper
- ATEX-certified in accordance with Directive 2014/34/EU.

Fan selection

Useful effect

Theoretical pressure increase is never achieved in practice, as all fans work with several unavoidable types of loss, including:

- Friction loss in housing and impeller
- Thrust loss at blade inlet
- Leakage between housing and impeller
- Loss due to impeller friction
- Loss in motor, belts and bearings

JKF states the total useful effect.

The useful effect for a given operating point indicates the relationship between the utilisation effect (air effect) and the power input (shaft effect). The utilisation effect is the product of volume flow and total pressure increase.

The useful effect of the fan can be expressed as follows:

$$\eta_v = \frac{q_v \times \Delta p_1}{P}$$

and its effect consumption as:

$$P = \frac{q_v \times \Delta p_1}{\eta_v} \text{ [W]}$$

where

P = shaft effect [W] of the fan

q_v = volume flow [m³/s]

Δp_1 = total pressure increase [Pa]

η_v = useful effect of the fan [decimal fraction]

Any loss from the belt drive and motor have to be added, so that total effect consumption can be expressed as:

$$P_1 = \frac{q_v \times \Delta p_1}{\eta_v \times \eta_r \times \eta_m}$$

where

η_v = useful effect of the fan

η_r = useful effect of the belt

η_m = useful effect of the motor

Fan diagram

For description of fans for specific solutions, the following parameters are required:

- Volume flow
- Pressure increase
- Effect consumption
- min⁻¹
- Useful effect
- Noise intrusion

Fan graphs are based on a density of 1.2 kg/m³ equivalent to air density at 20°C and barometric pressure of 101.3 kPa.

Capacity regulation of fans

All fan systems of any size can be fitted with capacity regulation to match volume flow to the usage patterns of the plant. Depending on operating requirements, the fan performance can be regulated with a frequency converter.

Using a frequency transformer maintains the fan useful effect almost unchanged across the entire regulation range and avoids noise being created during regulation.

Accessories

- 60 Hz impeller for transport fan

The impeller has to be modified for 60 Hz direct driven transport fans. Belt-driven fans are adjusted via the pulleys.

Surface treatment

JKF has installed a state-of-the-art automatic 3-zone powder coating plant, which ensures high, uniform quality on all painted items (W0.5xH2.0xL1.0 m). A powder coating plant for larger items (W2.5xH2.5xL5.0 m) is used with integrated sandblasting facility. Powder application is manual.

Benefits of powder coating:

- High quality, impact and scratch-resistant surface
- High material usage - no evaporation
- Environment protection - no solvents

Standard surface treatment:

Filters, cyclones, fans, rotary valves, diverters:

3-step iron phosphate finish or sandblasting SA \geq 2.5/Ra 6-10 μ m

Powder coated with primer 60-80 μ m and top coat paint 60-80 μ m. Expected service life in corrosive environments corresponding to C3.

Ducts and other parts for duct systems:

3-step iron phosphate finish or sandblasting SA \geq 2.5/Ra 6-10 μ m

Powder coated with top coat paint 60-80 μ m. Expected service life in corrosive environments corresponding to C2.

Customised surface treatment

Sandblasting SA \geq 2.5/Ra 6-10 μ m.

Powder coated with primer 60-120 μ m and top coat paint 70-120 μ m RAL colours are available.

Expected service life in corrosive environments corresponding to C4.

Test

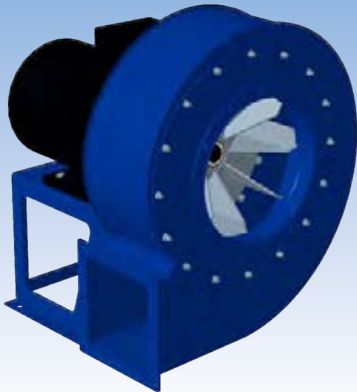
All fans are tested for function and vibration.

When ordering, JKF requires the following information:

Fan type – air volume – air temperature - pressure – material transport/nature – installation conditions – noise levels – effect consumption - motor – motor integrity class – operating time - surface treatment, zone placing (ATEX) – and any other requirements.

Fan selection

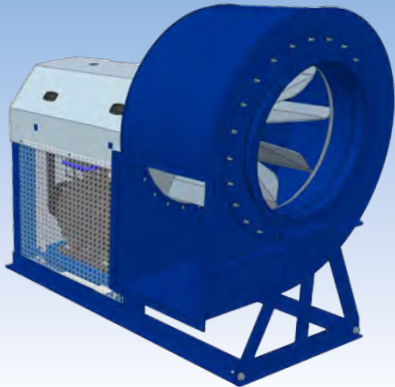
Type JK-D



- Transport fan
- Direct drive
- Air volume from 750 to 11,000 m³/h
- Pressure: 110 – 440 mm WG

Page 9-15

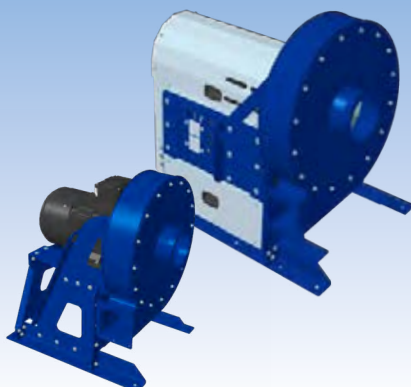
Type JK-K



- Transport fan
- Indirect drive
- Air volume from 2,800 to 40,000 m³/h
- Pressure: 60 – 600 mm WG

Page 16-21

Type T-K - T-D

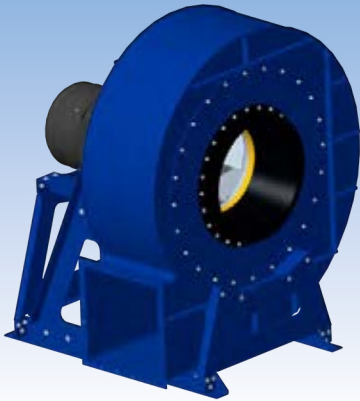


- Transport fan
- Indirect drive
- Direct drive
- Air volume from 2,000 to 14,000 m³/h
- Pressure: 250 – 1,100 mm WG

Page 22-26

Fan selection

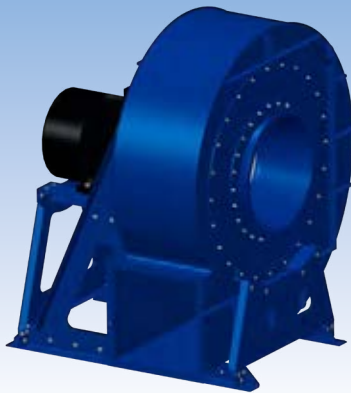
Type JK-MTDP



- Material transport
- Direct drive
- Air volume from 3,000 to 70,000 m³/h
- Pressure: 170 – 590 mm WG

Page 27-35

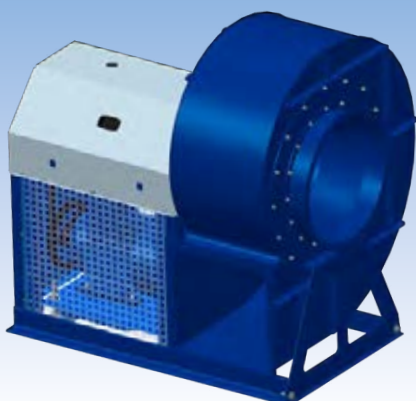
Type JK-MTD



- Clean air fan
- Direct drive
- Air volume from 2,000 to 88,000 m³/h
- Pressure: 120 – 600 mm WG

Page 36-45

Type JK-MT



- Clean air fan
- Indirect drive
- Air volume from 2,500 to 110,000 m³/h
- Pressure: 80 – 560 mm WG

Page 46-54

How to read fan graphs

In practice it is highly likely that the operational point for a fan will not appear on the graphs referring to useful effect, but between them.

Determination of values for the operational point selected can be calculated using the following formulas:

Total useful effect

$$\eta_T = \frac{p \times Q \times 9,81}{1000 \times P}$$

p = Total pressure read from graph in mm WG

Q = Air volume read from graph in m³/s

P = Power input to electric motor in kW

When calculating useful effect

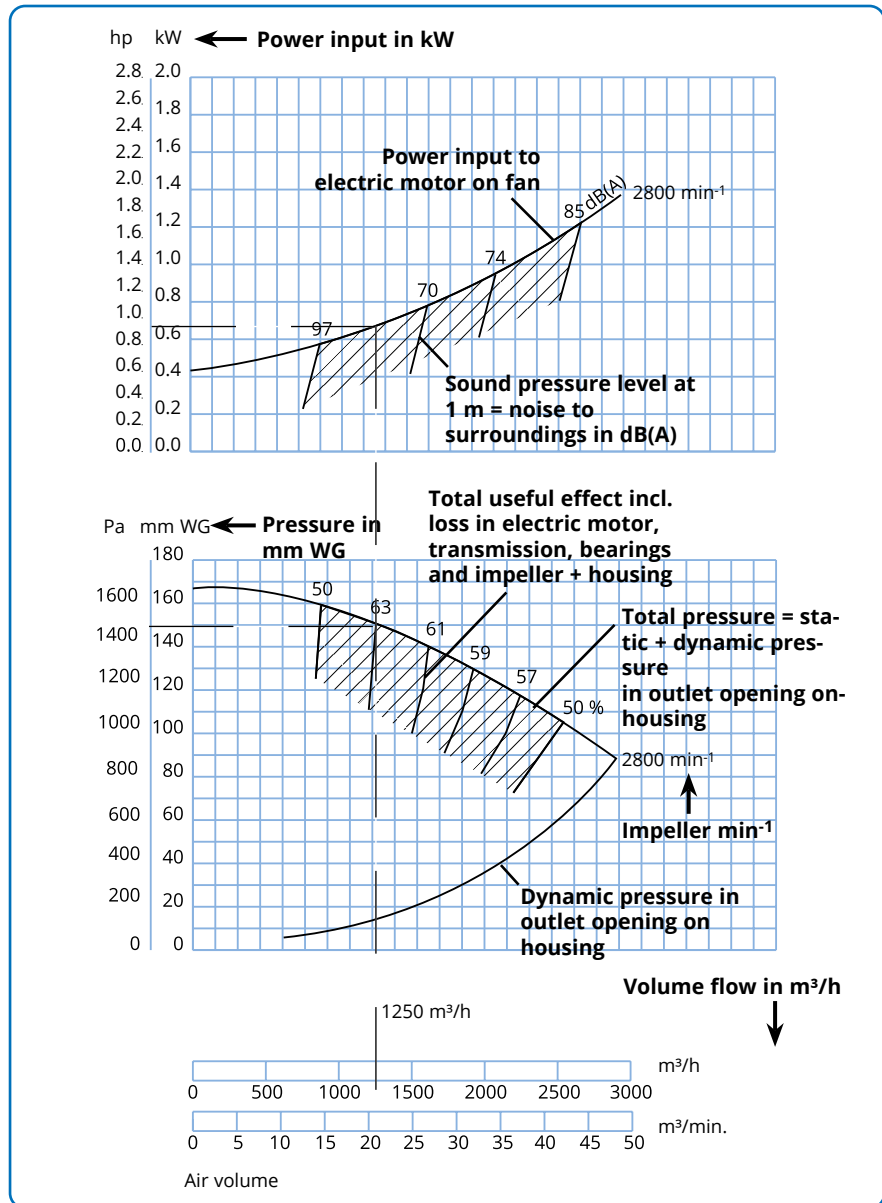
When only working with power input to the impeller, the following formulas can be used:

For *direct drive fans* the useful effect is

$$\eta_D = \eta_T + 10\%$$

For *indirect drive fans* the useful effect is

$$\eta_{ID} = \eta_T + 10\% + 6\%$$



Example at 1250 m³/h

Read-off from graph for useful effect and pressure will show 150 mm WG and useful effect of 63%.

The power input graph will show a read-off of 0.7 kW at 1250 m³/h.

Every effort should be made to set a fan up to achieve the best useful effect possible.

Fan types JK-20D - JK-40D

The direct drive centrifugal fan types JK-20D - JK-40D are designed for material handling.

Equipped with self-cleaning impellers with backward-inclined blades and aerodynamic intake. The impellers are statically and dynamically balanced.

Max. internal operating temperature: 60°C

Number of blades are reduced by 2 for paper impeller.

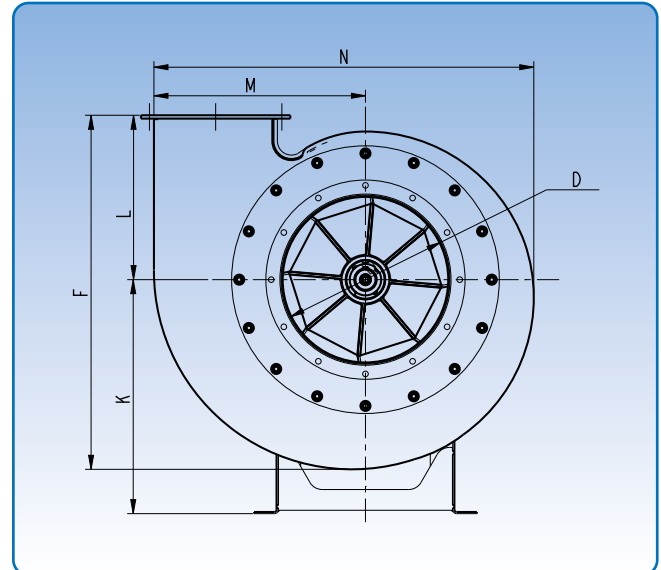
Available in stainless steel inlet and explosion-proof (Ex) motor.

The inlet (D) is supplied with flange as standard.

If the fan is mounted in an acoustic booth, it is supplied with smooth inlet.

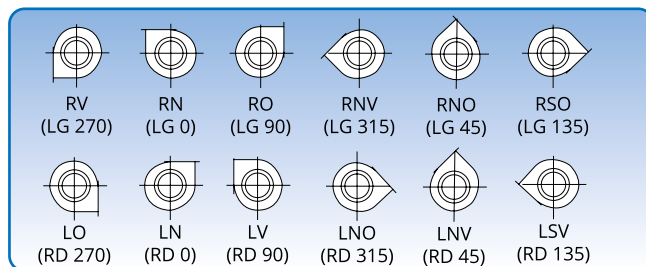
Specific dimensions for the outlet flanges can be found under "Flanges".

The technical data for each type appears on the following pages.

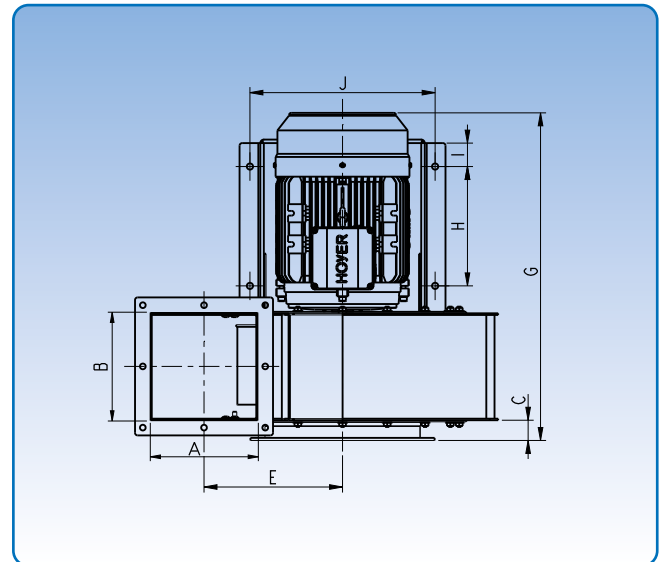


Steel plate dimensions in mm

Type	JK-20D - JK-30D	JK-35D - JK-40D
Impeller - standard	4	5
Impeller - reinforced	8	8
Fan housing - standard	3	3
Fan housing - reinforced	6	8



6 positions. The position illustrations are viewed from the inlet side.



Type	Dimensions														Weight without motor kg
	A mm	B mm	C mm	D mm	E mm	F mm	G mm	H mm	I mm	J mm	K mm	L mm	M mm	N mm	
JK-20D	140	140	33	200	207	448	400	141	40	317	325	198	284	500	27
JK-22D	166	166	29	225	220	500	475	192	40	326	340	224	310	552	34
JK-25D	186	186	30	250	248	582	530	210	50	356	384	273	339	618	45
JK-30D	206	206	36	300	267	631	577	230	50	356	415	293	368	676	50
JK-35D	225	225	45	350	320	670	735	360	50	390	515	293	429	770	73
JK-40D	251	251	55	400	330	740	795	400	50	488	500	326	453	824	88

Fan type JK-20D

Technical data

Motor: IP 55

Supplied with the following motors:

kW	amp.	Weight of motor kg
1,1	4,3	12

Max. min⁻¹:

Standard impeller: 3.000 min⁻¹

Reinforced impeller: 3.000 min⁻¹

Durable impeller: 2840 min⁻¹

Operating range:

Air volume: 750 - 1.800 m³/h

Pressure: 110 - 155 mmWG

Power supply:

230 V - 50 Hz.

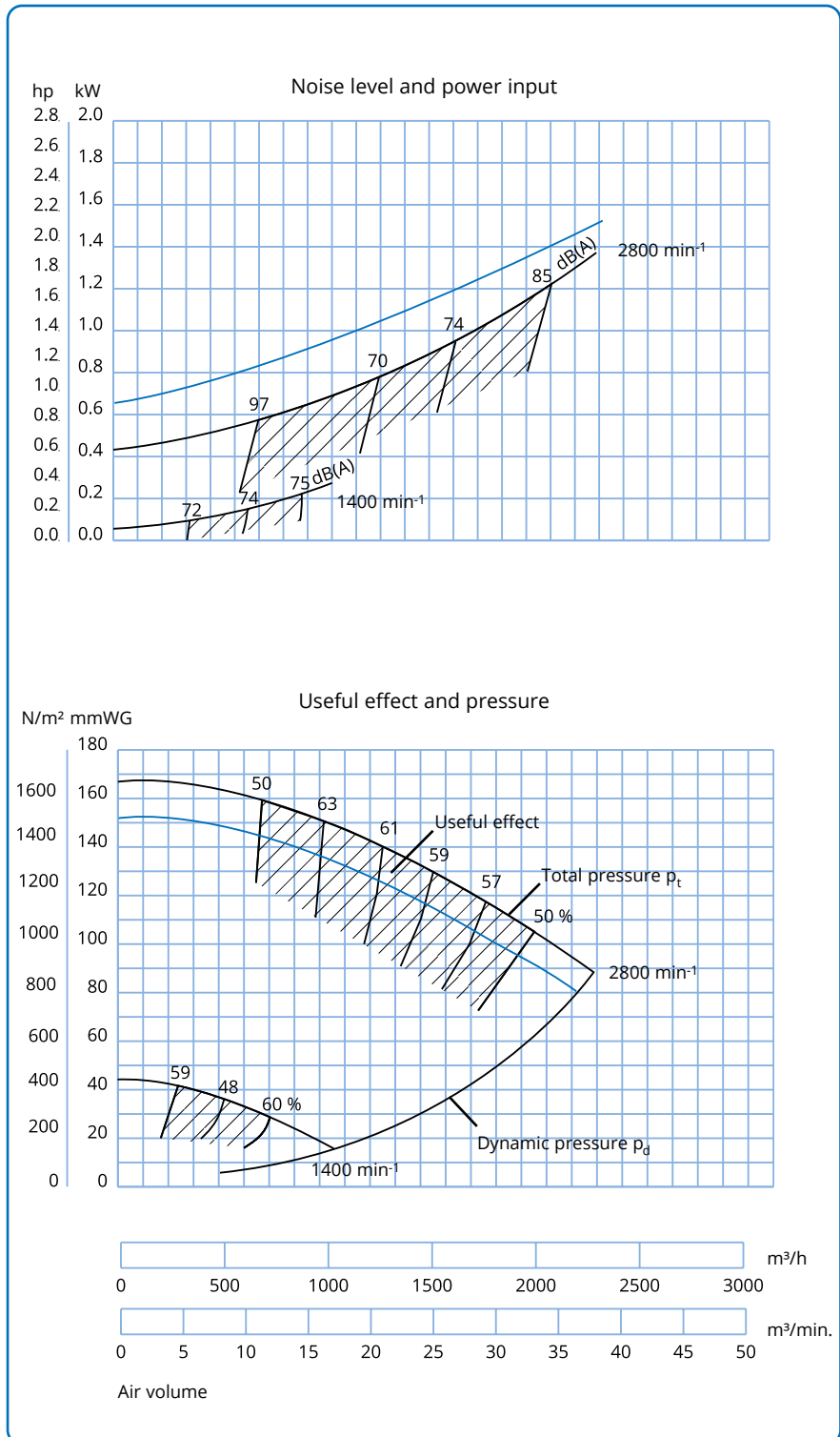
Construction:

Standard and without motor stand.

Impeller:

Standard, Reinforced, Durable, Paper and Standard 60 Hz

Blue curve apply to paper impellers with 6 blades.



Fan type JK-22D Technical data

Motor: IP 55

Supplied with the following motors:

kW	amp.	Weight of motor kg
2,2	8,0	19

Max. min⁻¹:

Standard impeller: 3.000 min⁻¹

Reinforced impeller: 3.000 min⁻¹

Durable impeller: 2865 min⁻¹

Operating range:

Air volume: 1.000 - 3.100 m³/h

Pressure: 130 - 200 mmWG

Power supply:

230 V - 50 Hz.

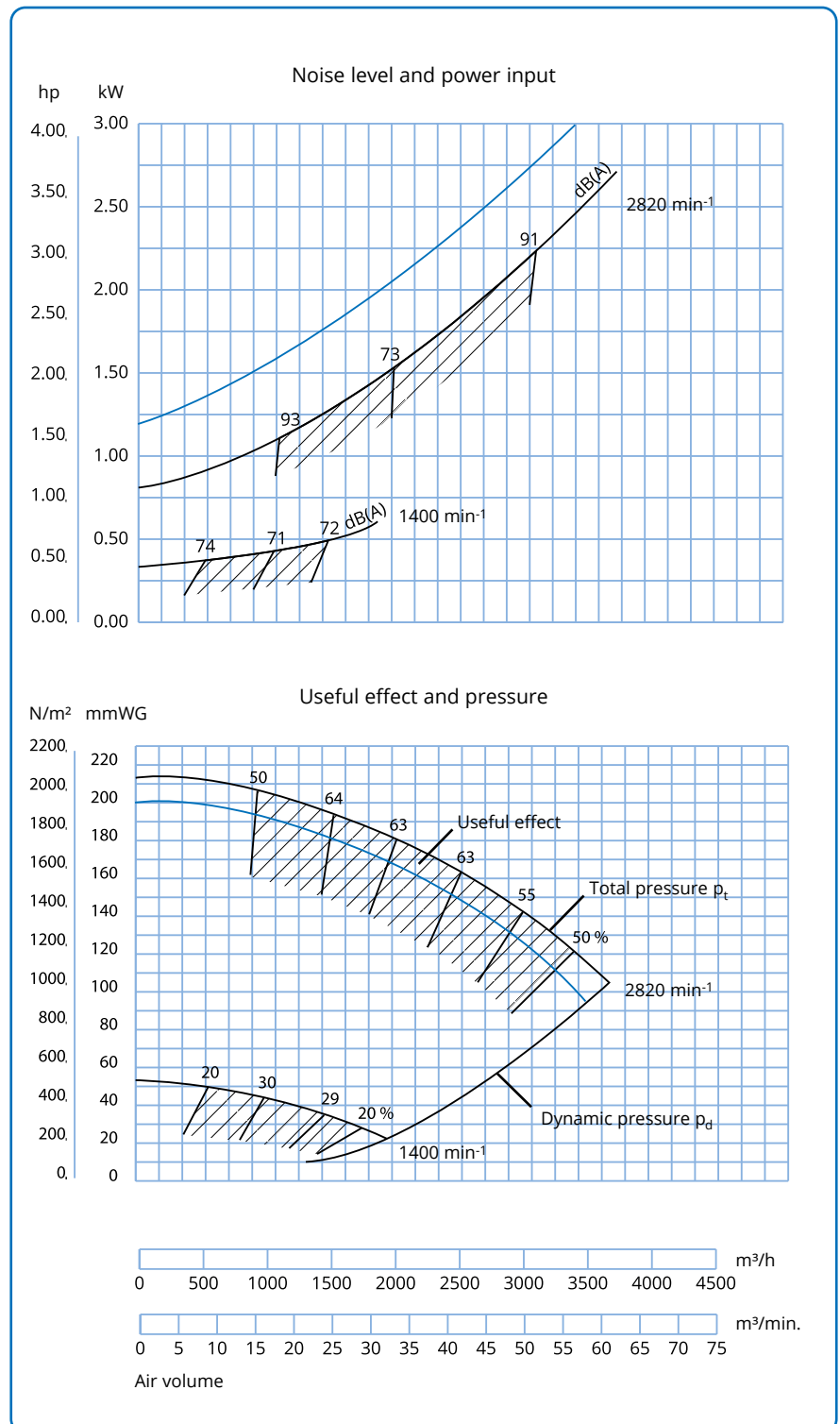
Construction:

Standard and without motor stand.

Impeller:

Standard, Reinforced, Durable, Paper and Standard 60 Hz

Blue curve apply to paper impellers with 6 blades.



Fan type JK-25D

Technical data

Motor: IP 55

Supplied with the following motors:

kW	amp.	Weight of motor kg
4,0	7,7	34

Max. min⁻¹:

Standard impeller: 3.000 min⁻¹

Reinforced impeller: 3.000 min⁻¹

Durable impeller: 2865 min⁻¹

Operating range:

Air volume: 1.500 - 4.500 m³/h

Pressure: 160 - 240 mmWG

Power supply:

400 V - 50 Hz.

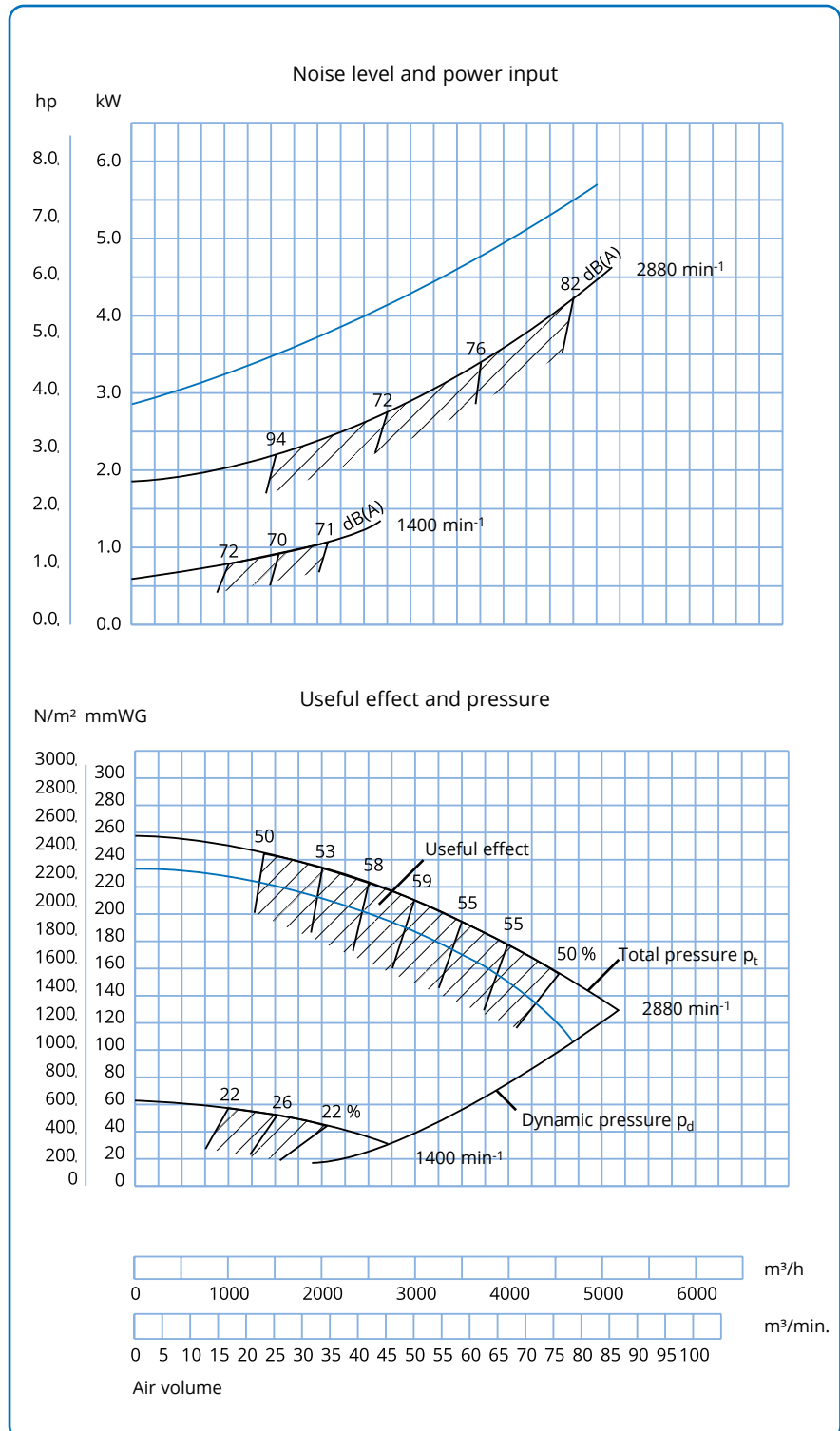
Construction:

Standard and without motor stand.

Impeller:

Standard, Reinforced, Durable, Paper and Standard 60 Hz.

Blue curve apply to paper impellers with 6 blades.



Fan type JK-30D Technical data

Motor: IP 55

Supplied with the following motors:

kW	amp.	Weight of motor kg
5,5	11,1	48
7,5	14,7	56

Max. min⁻¹:

Standard impeller: 3.000 min⁻¹

Reinforced impeller: 3.000 min⁻¹

Durable impeller: 2895 min⁻¹

Operating range:

Air volume: 2.500 - 6.500 m³/h

Pressure: 200 - 290 mmWG

Power supply:

400 V - 50 Hz.

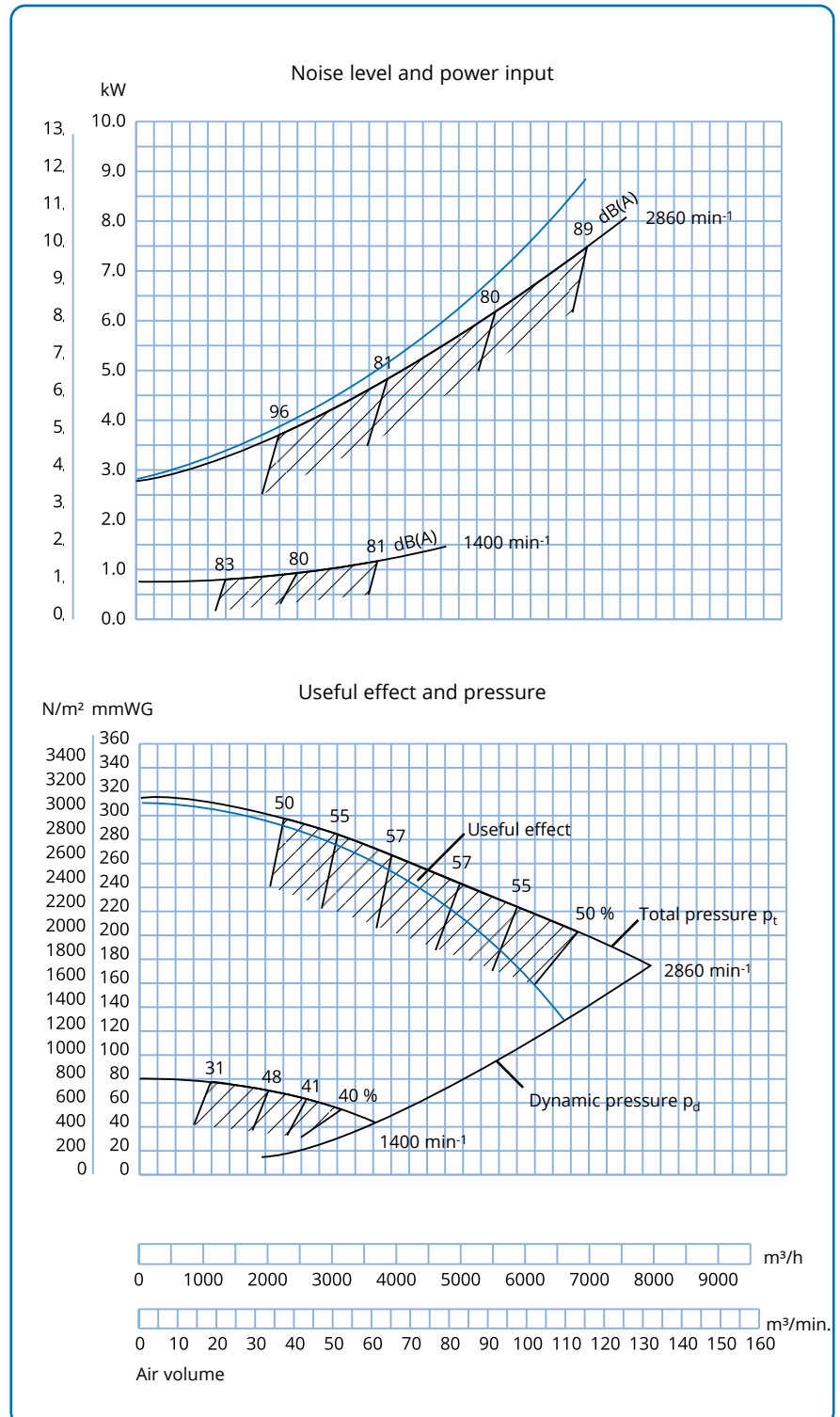
Construction:

Standard and without motor stand.

Impeller:

Standard, Reinforced, Durable, Paper and Standard 60 Hz.

Blue curve apply to paper impellers with 6 blades.



Fan type JK-35D

Technical data

Motor: IP 55

Supplied with the following motors:

kW	amp.	Weight of motor kg
11,0	21,2	122
15,0	28,2	137

Max. min⁻¹:

Standard impeller: 3.000 min⁻¹

Reinforced impeller: 3.000 min⁻¹

Durable impeller: 2915 min⁻¹

Operating range:

Air volume: 3.000 - 8.500 m³/h

Pressure: 260 - 375 mmWG

Power supply:

400 V - 50 Hz.

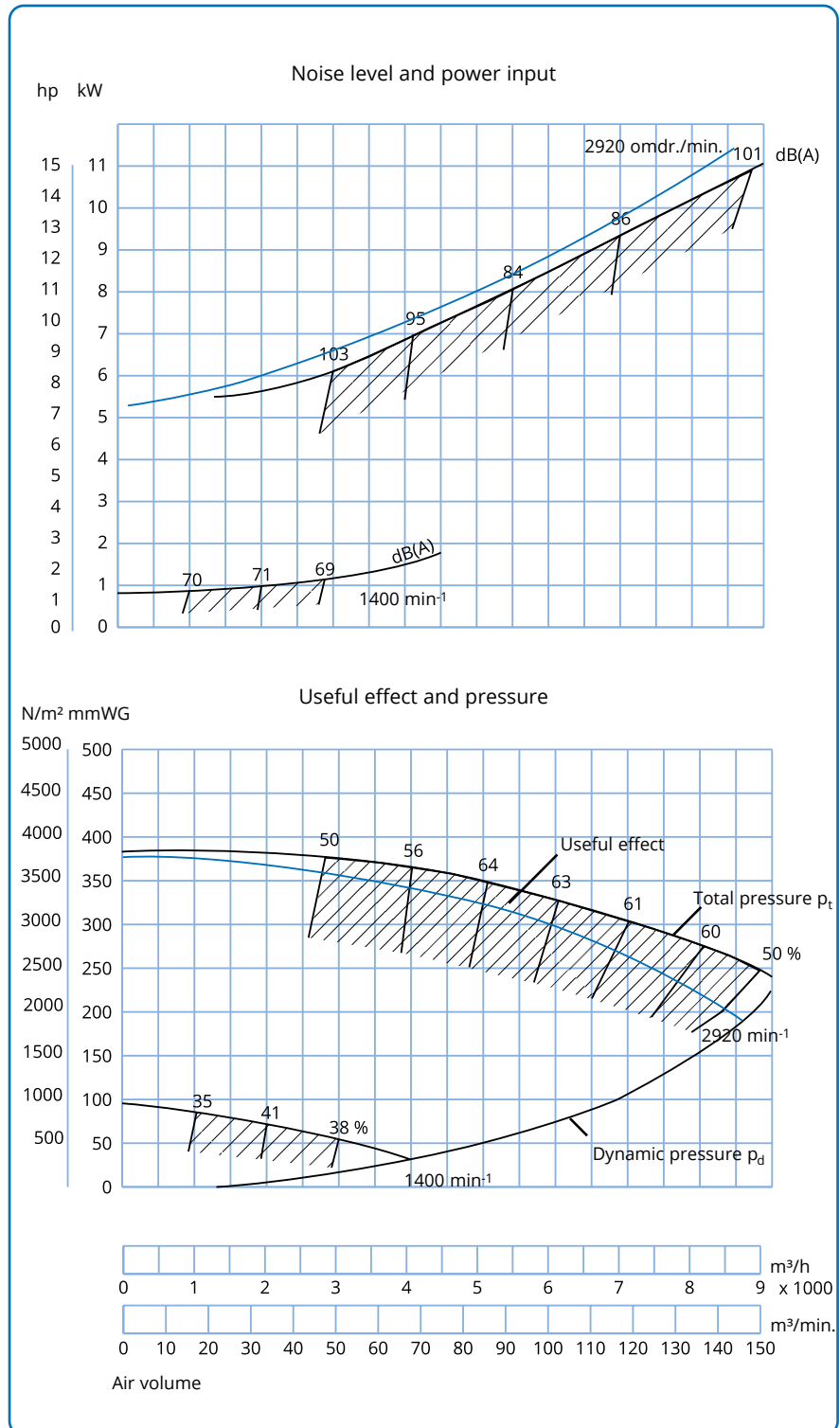
Construction:

Standard and without motor stand.

Impeller:

Standard, Reinforced, Durable, Paper and Standard 60 Hz.

Blue curve apply to paper impellers with 6 blades.



Fan type JK-40D Technical data

Motor: IP 55

Supplied with the following motors:

kW	amp.	Weight of motor kg
18,5	34,4	150
22,0	40,0	198

Max. min⁻¹:

Standard impeller: 3.000 min⁻¹

Reinforced impeller: 3.000 min⁻¹

Durable impeller: 2930 min⁻¹

Operating range:

Air volume: 5.000 - 11.000

m³/h

Pressure: 340 - 440 mmWG

Power supply:

400 V - 50 Hz.

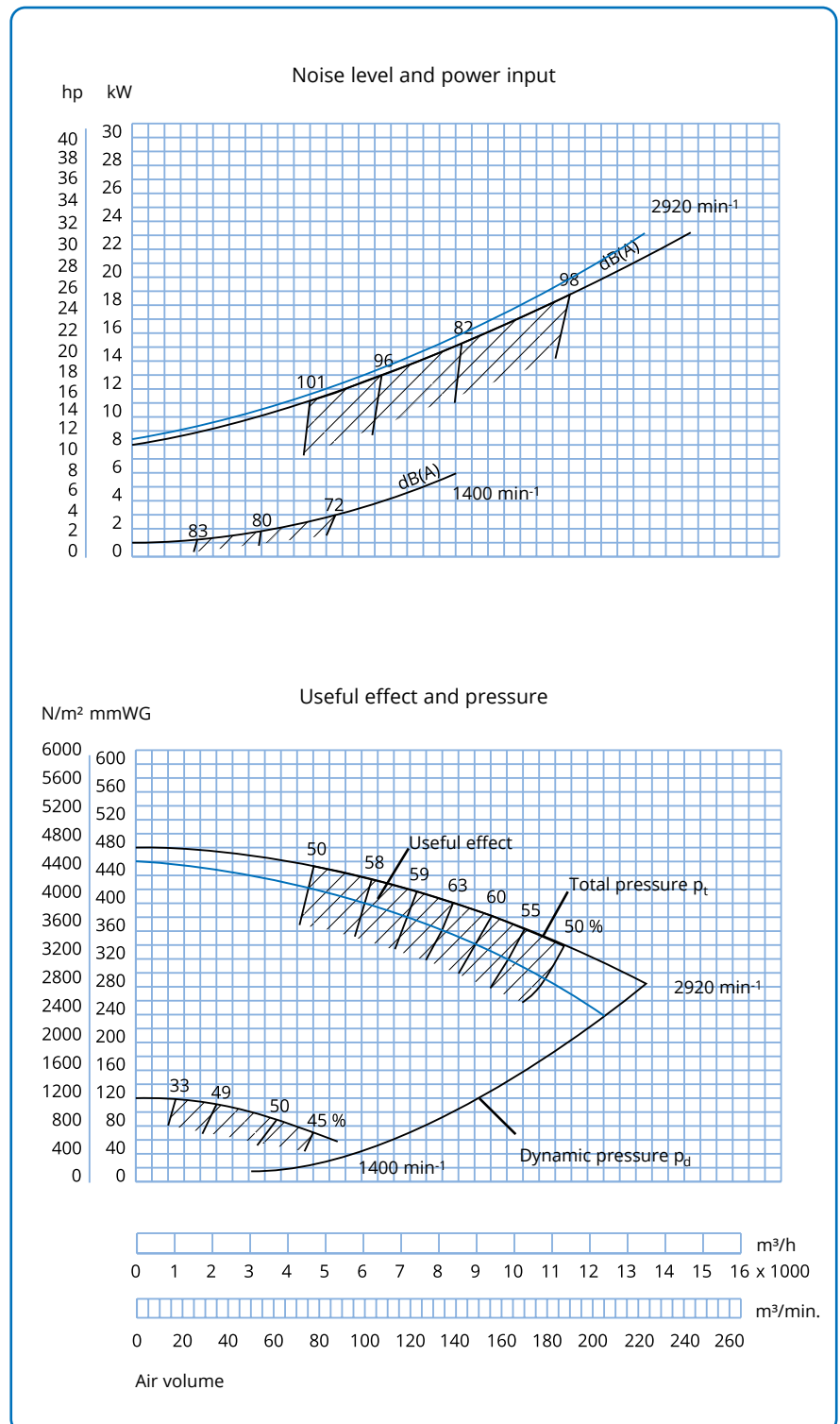
Construction:

Standard and without motor stand.

Impeller:

Standard, Reinforced, Durable, Paper and Standard 60 Hz.

Blue curve apply to paper impellers with 6 blades.



Fan types JK-30K - JK-75K

The indirect drive centrifugal fan types JK-30K - JK-75K are designed for material handling.

Equipped with self-cleaning impellers with backward-inclined blades and aerodynamic intake. The impellers are statically and dynamically balanced.

The pulleys are shaft-mounted with taperlock bushing, allowing easy replacement for changed fan speed.

Max. internal operating temperature: 60°C
With cooling wings: Up to 200°C

Number of blades are reduced by 2 for paper impeller.

Available with stainless steel inlet and explosion-proof (Ex) motor.

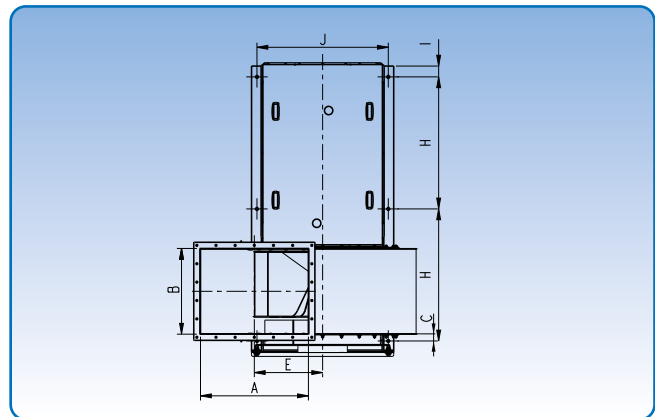
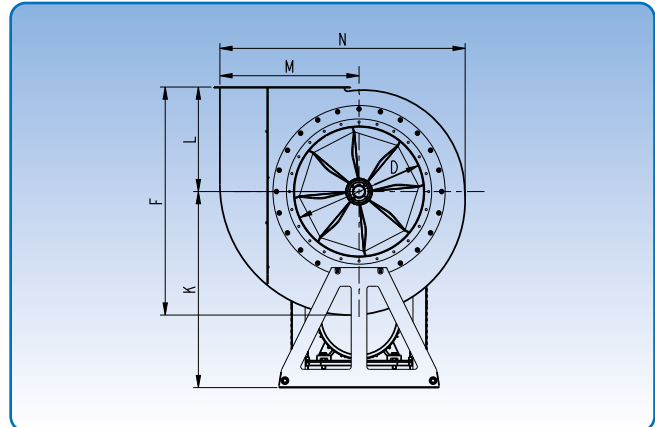
The inlet (D) is supplied with flange as standard.

If the fan is mounted in an acoustic booth, it is supplied with smooth inlet.

Belt drive is anti-static.

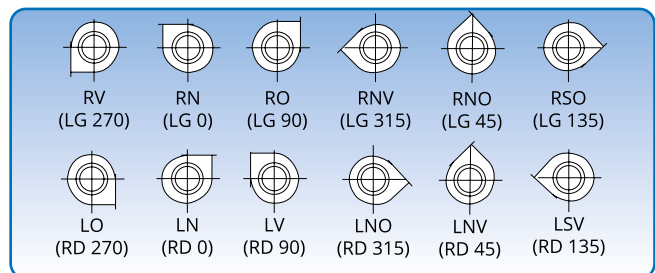
Specific dimensions for the outlet flanges can be found under "Flanges".

The technical data for each type appears on the following pages.



Steel plate dimensions in mm

Type	JK-30K	JK-40K - JK-45K	JK-55K	JK-75K
Impeller - standard	4	5		6
Impeller - reinforced	8	8	8	8
Fan housing - standard	3	3		4
Fan housing - reinforced	6	8		8



6 positions. The position illustrations are viewed from the inlet side.

Type	Dimensions														Weight without motor kg
	A mm	B mm	C mm	D mm	E mm	F mm	G mm	H mm	I mm	J mm	K mm	L mm	M mm	N mm	
JK-30K	206	206	36	300	267	631	860	370	55	430	550	293	377	676	79
JK-40K	250	250	55	400	330	740	1110	494	55	550	650	326	453	824	200
JK-45K	339	339	30	450	395	885	1207	561	55	672	720	375	560	1013	300
JK-55K	418	418	60	550	500	1095	1540	700	59	825	955	468	715	1250	532
JK-75K	700	550	60	750	442	1310	1875	855	70	850	1125	600	800	1410	597

Fan type JK-30K

Technical data

Motor: IP 55

Supplied with the following motors:

kW	amp.	Weight of motor kg
5,5	11,1	48
7,5	14,7	56

Max. min⁻¹:

Standard impeller: 3.000 min⁻¹

Reinforced impeller: 3.000 min⁻¹

Durable impeller: 2.700 min⁻¹

Operating range:

Air volume: 2,800 – 6,500 m³/h

Pressure: 60 – 320 mm WG

Power supply:

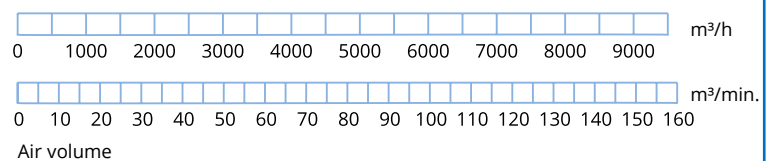
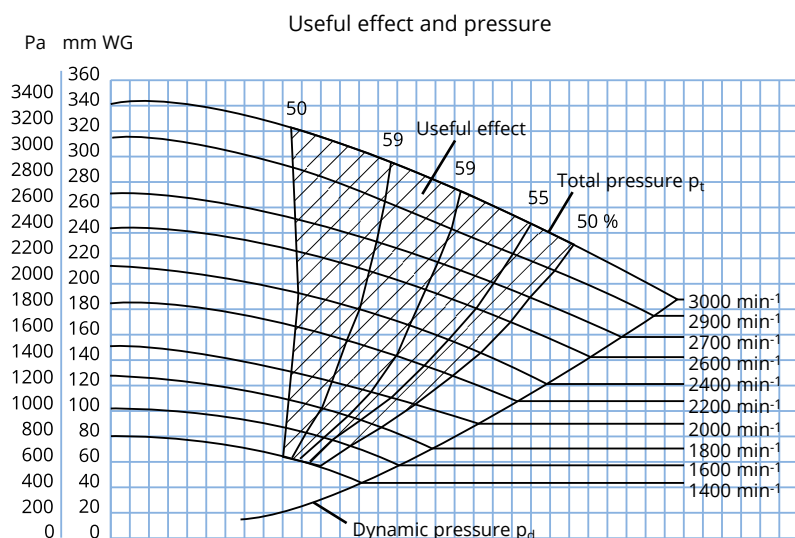
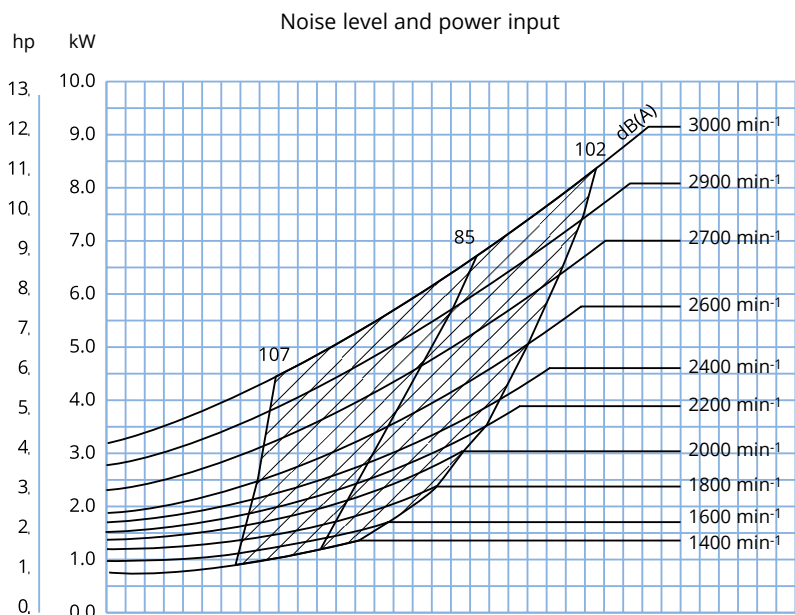
400 V - 50 Hz.

Construction:

Standard and with motor stand.

Impeller:

Standard, Reinforced, Durable and Paper



Fan type JK-40K

Technical data

Motor: IP 55

Supplied with the following motors:

kW	amp.	Weight of motor kg
11,0	21,2	122
15,0	28,2	137
18,5	33,0	150

Max. min⁻¹:

Standard impeller:	3.200 min ⁻¹
Reinforced impeller:	3.000 min ⁻¹
Durable impeller:	2600 min ⁻¹

Operating range:

Air volume:	5,000 – 11,000 m ³ /h
Pressure:	140 – 540 mm WG

Power supply:

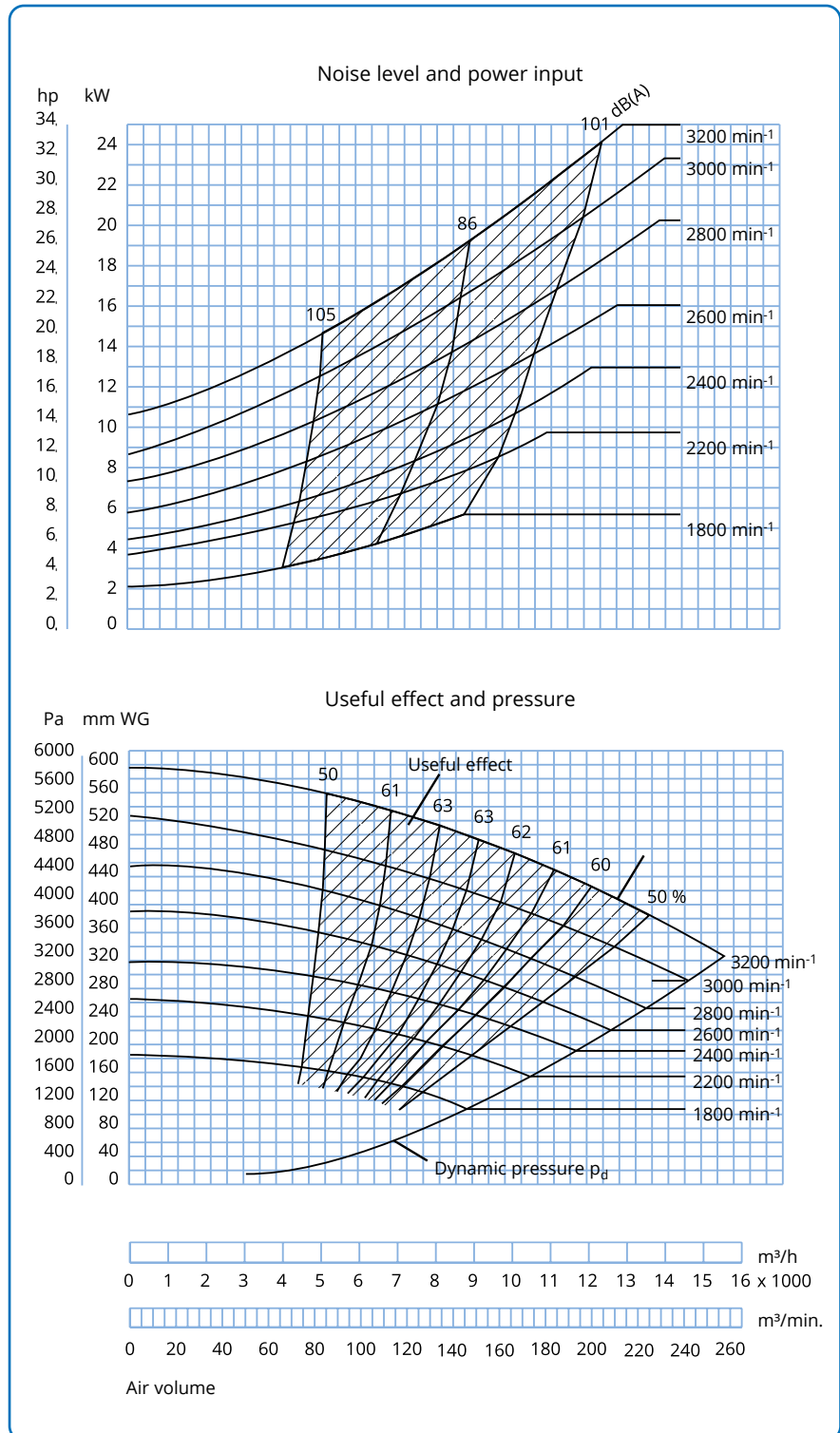
400 V - 50 Hz.

Construction:

Standard and with motor stand.

Impeller:

Standard, Reinforced, Durable and Paper



Fan type JK-45K

Technical data

Motor: IP 55

Supplied with the following motors:

kW	amp.	Weight of motor kg
18,5	34,4	150
22,0	40,0	165
30,0	52,5	240

Max. min⁻¹:

Standard impeller: 2.350 min⁻¹

Reinforced impeller: 1.850 min⁻¹

Durable impeller: 1 850 min⁻¹

Operating range:

Air volume: 6.000 - 20.000

m³/h

Pressure: 180 - 520 mmWG

Power supply:

400 V - 50 Hz.

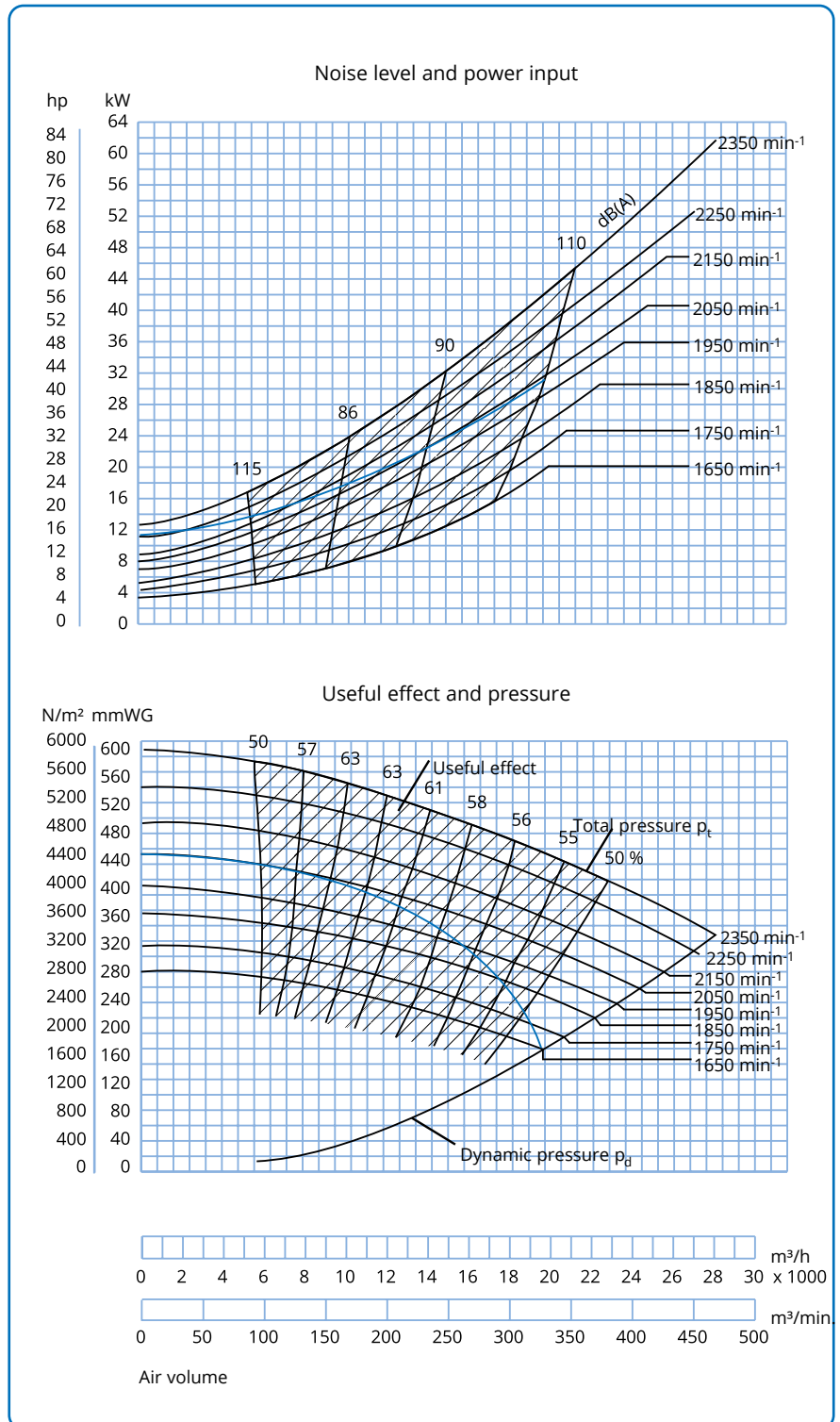
Construction:

Standard and with motor stand.

Impeller:

Standard, Reinforced, Durable and Paper

Blue curve applies to paper impeller with 6 blades at 1950 min⁻¹.



Fan type JK-55K

Technical data

Motor: IP 55

Supplied with the following motors:

kW	amp.	Weight of motor kg
30,0	53	280
37,0	67	308
45,0	80	343
55,0	97	456

Max. min⁻¹:

Standard impeller: 2.050 min⁻¹

Durable impeller: 1850 min⁻¹

Operating range:

Air volume: 8.000 - 29.000 m³/h

Pressure: 160 - 600 mmWG

Power supply:

400 V - 50 Hz.

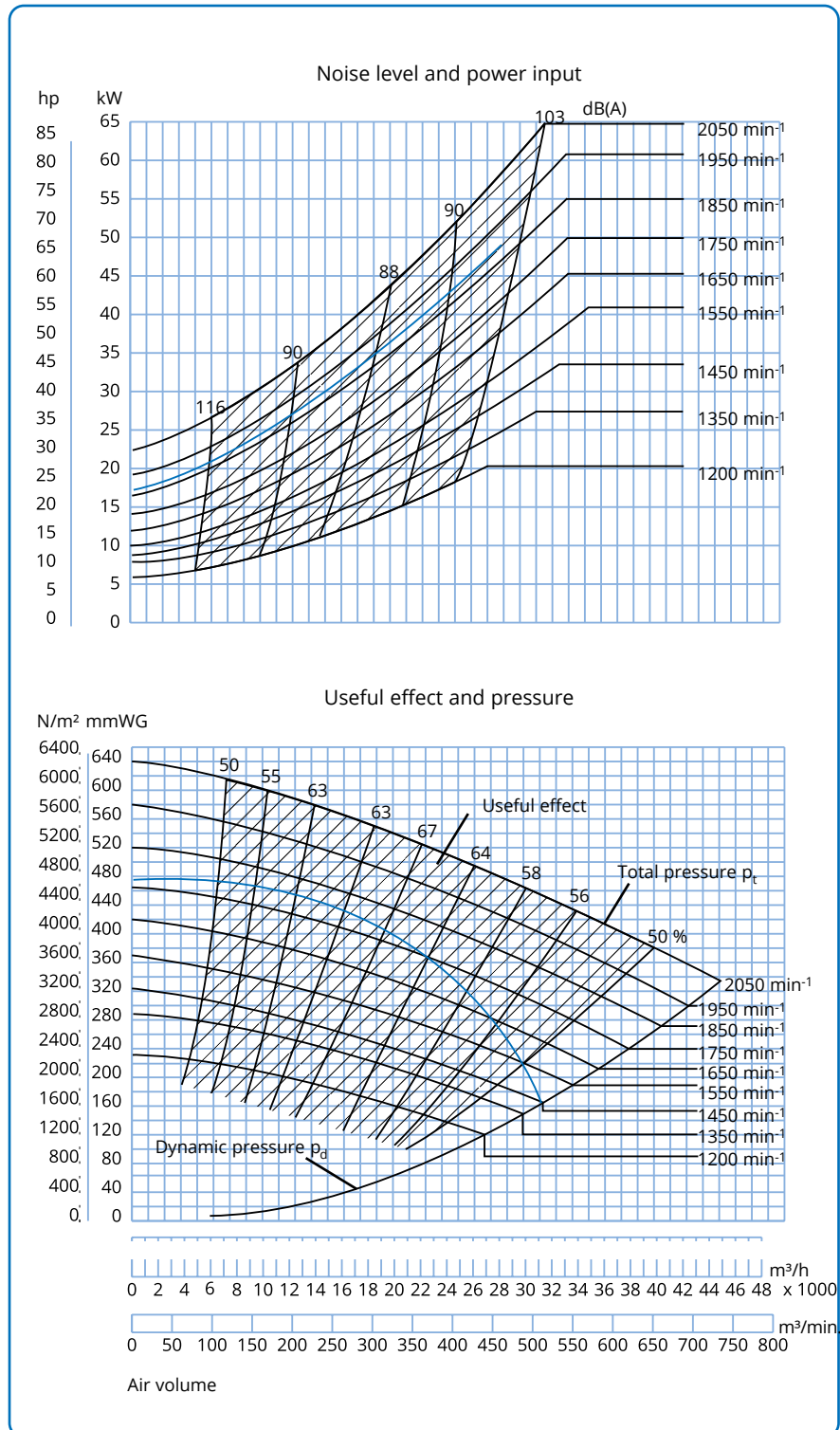
Construction:

Standard with motor stand.

Impeller:

Reinforced and Durable

Blue curve applies to paper impeller with 6 blades at 1850 min⁻¹



Fan type JK-75K Technical data

Motor: IP 55

Supplied with the following motors:

kW	amp.	Weight of motor kg
55,0	97,0	456
75,0	133,0	565

Max. min⁻¹:

Standard impeller: 1.650 min⁻¹

Reinforced impeller: 1.450 min⁻¹

Operating range:

Air volume: 25,000 – 40,000 m³/h

Pressure: 200 – 370 mm WG

Power supply:

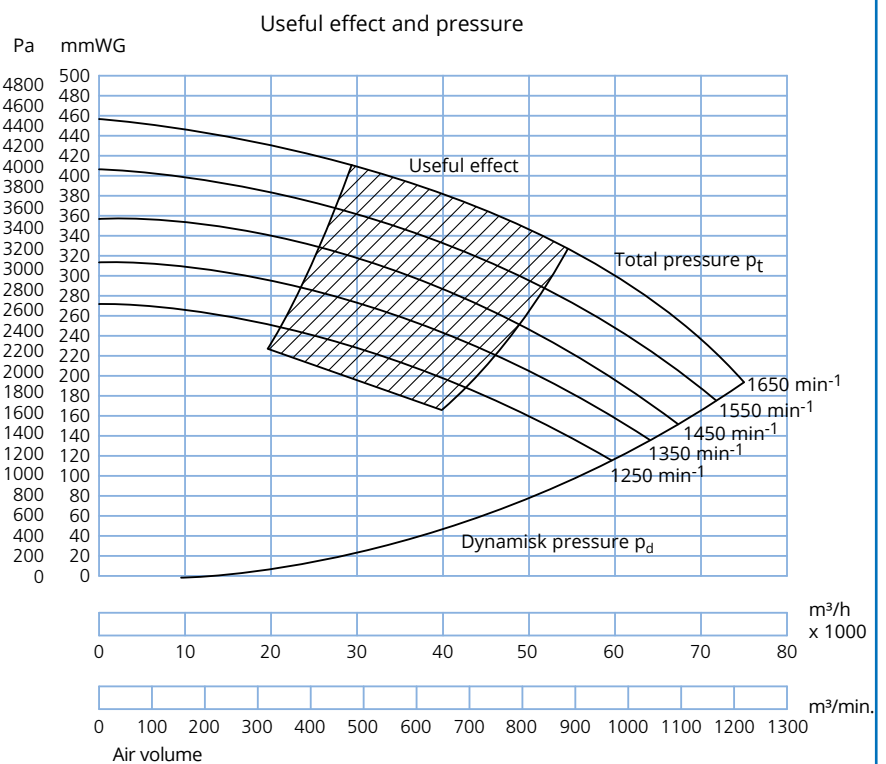
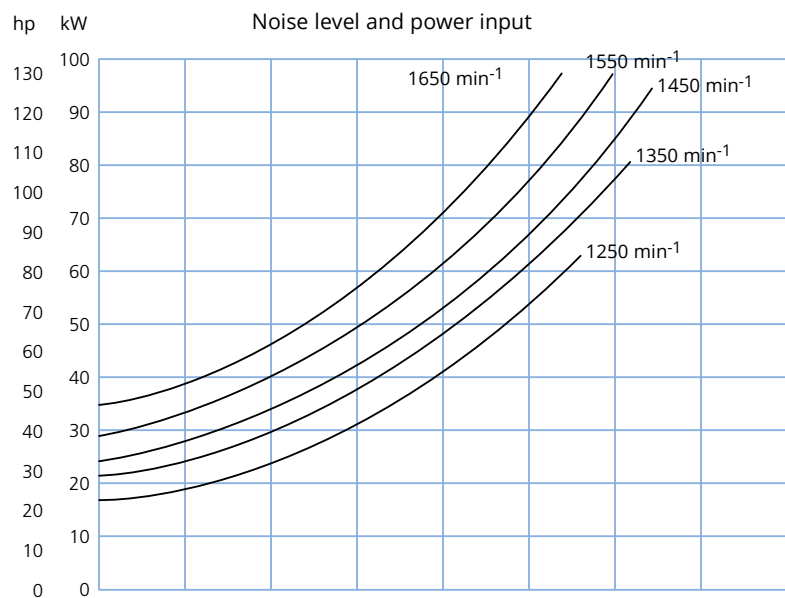
400 V - 50 Hz.

Construction:

Standard with motor stand.

Impeller:

Standard, Reinforced and Reinforced without deterioration.



Fan types T-200-300K and T200-300D

The indirect driven centrifugal fan types T-200K – T-300K and direct driven fan types T-200D – T-300D is designed for concentrated material handling over long distances.

The impellers are available in 2 versions, an open T-impeller for coarse-grained or rather long material types and a closed P-impeller for dust particles (< 2 mm).

The impeller for paper is always made as open T-impeller with 6 blades.

T-impeller is available in wear-resistant material in quality HB-400. The impeller is statically and dynamically balanced.

The fan is available with stainless steel inlet and explosion-proof (Eex) motor.

The pulleys are fitted with taperlock. This means that they can be easily re-placed if the number of revolutions has to be changed.

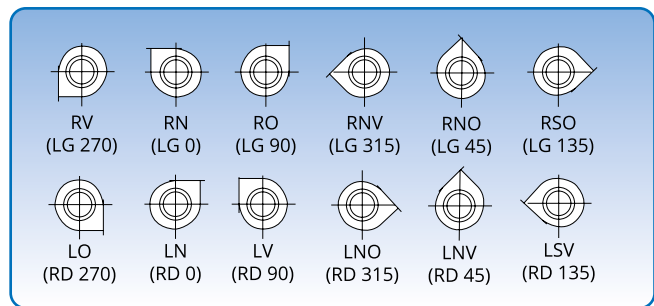
Max. internal operating temperature: 60°C

With cooling wings: Up to 200°C (only K-models)

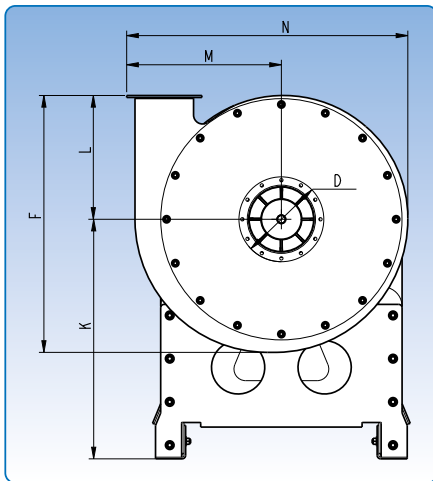
The inlet (D) is supplied with flange as standard.

Specific dimensions for the outlet flanges can be found under “Flanges”.

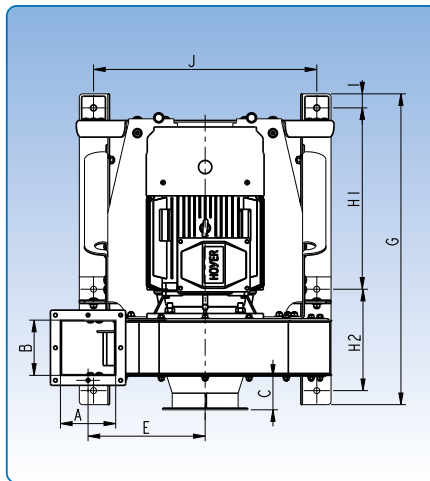
The technical data for each type appears on the following pages. Effects measured according to ISO 5801.



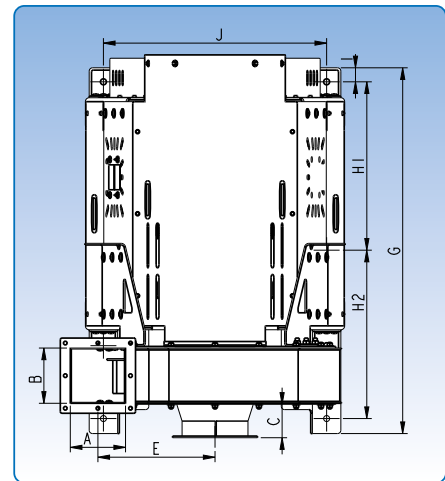
6 positions. The position illustrations are viewed from the inlet side.



T-D/K



T-D



T-K

Type	Dimensions															Weight without motor kg
	A mm	B mm	C mm	D mm	E mm	F mm	G mm	H1 mm	H2 mm	I mm	J mm	K mm	L mm	M mm	N mm	
T-200K	166	166	100	200	352	896	1099	506	506	42	671	720	496	454	834	257
T-300K	326	226	75	300	380	1076	1255	584	584	42	786	860	591	533	971	371
T-200D	166	166	100	200	352	896	934	305	545	38	671	720	496	454	834	219
T-300D	326	226	75	300	380	1076	1110	366	660	38	760	860	591	533	971	328

Fan type T-200K and T-200D Technical data

Motor: IP 55

Fan T-200K

Supplied with the following motors:

kW	amp.	Weight of motor kg
11,0	21,2	122
15,0	27,5	137
18,5	34,4	150
22,0	40,0	165

Fan T-200D

Supplied with the following motors:

kW	amp.	Weight of motor kg
11,0	21,2	123
15,0	27,5	140
18,5	34,4	159
22,0	39,0	204

Max. min⁻¹:

Standard impeller: 3.000 min.⁻¹

Reinforced impeller: 2.850 min.⁻¹

Durable impeller: 2.850 min.⁻¹

Operating range T-impeller:

Air volume: 800 - 5.200 m³/h

Pressure: 2.150 - 7.850 Pa

Power supply:

3 x 400 V - 50 Hz.

Construction:

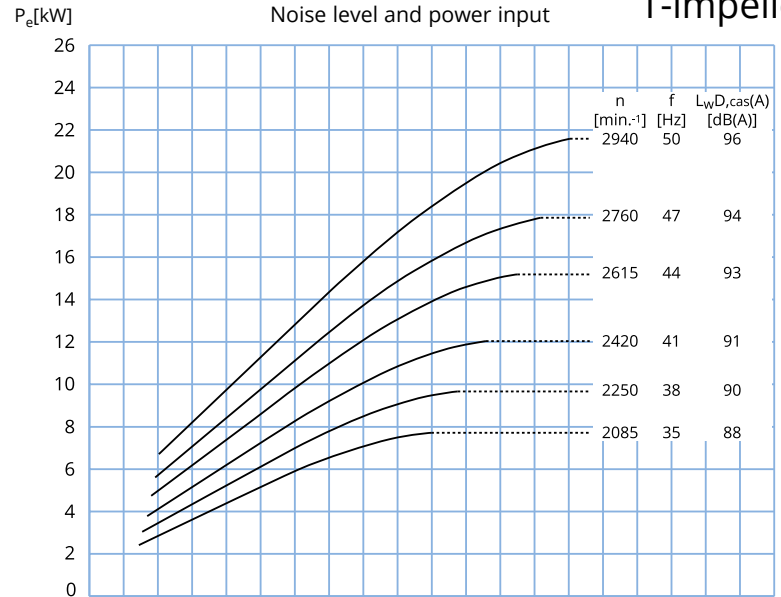
Standard housing with motor stand.

Reinforced housing with motor stand.

T-impeller:

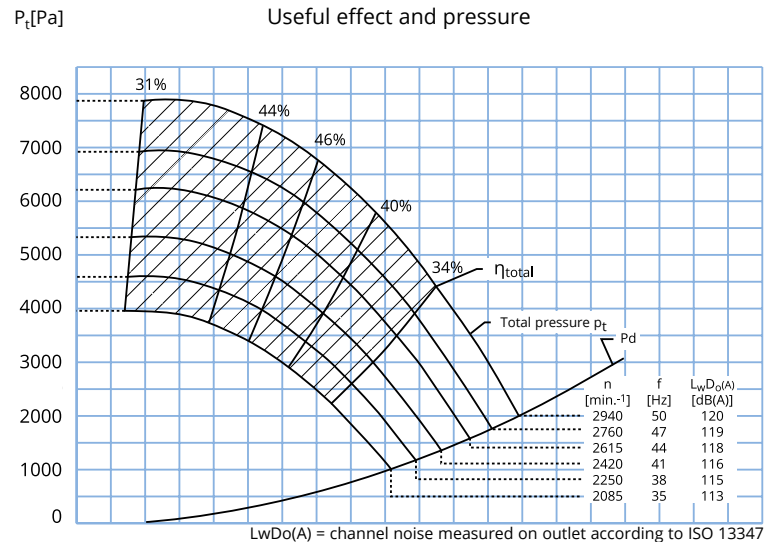
Standard, Reinforced, Durable and Paper

Noise level and power input T-impeller

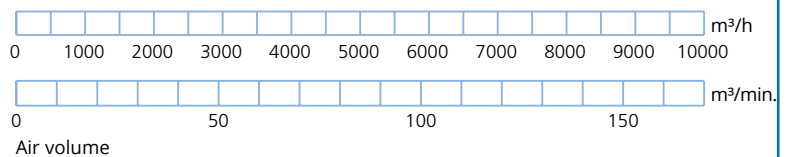


L_{wD(A)} = casing noise (motor, belts, etc.)

Useful effect and pressure



L_{wD(A)} = channel noise measured on outlet according to ISO 13347



Fan type T-200K and T-200D

Technical data

Motor: IP 55

Fan T-200K

Supplied with the following motors::

kW	amp.	Weight of motor kg
11,0	21,2	122
15,0	27,5	137
18,5	34,4	150
22,0	40,0	165

Fan T-200D

Supplied with the following motors:

kW	amp.	Weight of motor kg
11,0	21,2	123
15,0	27,5	140
18,5	34,4	159
22,0	39,0	204

Max. min⁻¹:

Impeller: 3.000 min.⁻¹

Operating range P-impeller:

Air volume: 1.000 - 6.500 m³/h

Pressure: 1.850 - 8.350 Pa

Power supply:

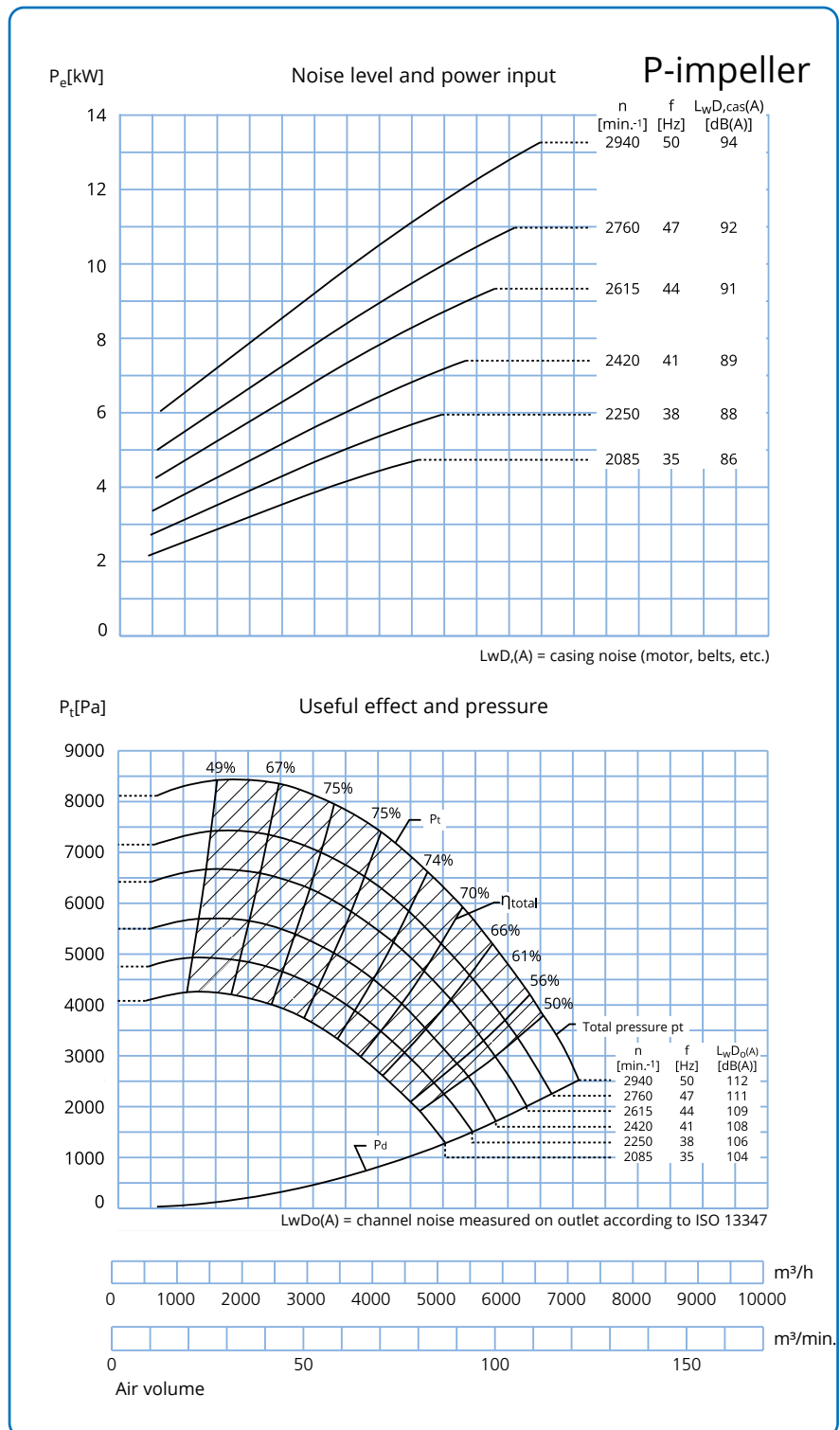
3 x 400 V - 50 Hz.

Construction:

Standard housing with motor stand.

P-impeller:

Standard.



Fan type T-300K and T-300D Technical data

Motor: IP 55

Fan T-300K

Supplied with the following motors:

kW	amp.	Weight of motor kg
22,0	39,0	165
30,0	52,3	246
37,0	64,5	256
45,0	78,0	328

Fan T-300D

Supplied with the following motors:

kW	amp.	Weight of motor kg
30,0	52,3	246
37,0	64,5	266
45,0	78,0	336

Max. min⁻¹:

Standard impeller: 3.000 min.⁻¹

Durable impeller: 2,400 min.⁻¹

Operating range T-impeller:

Air volume: 2.000 - 11.000 m³/h

Pressure: 3.500 - 10.800 Pa

Power supply:

3 x 400 V - 50 Hz.

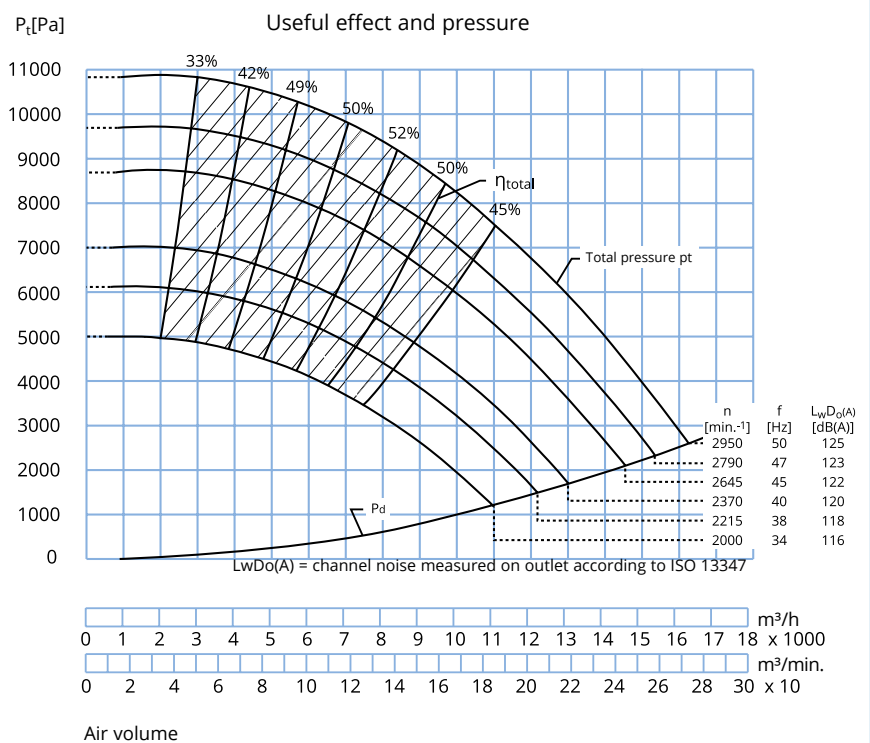
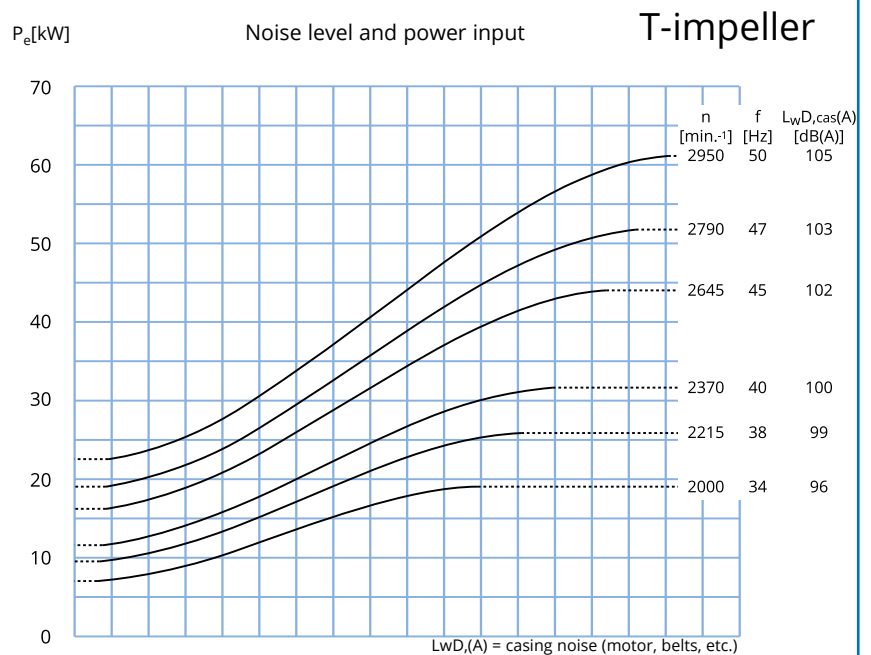
Construction:

Standard housing with motor stand.

Reinforced housing with motor stand.

T-impeller:

Standard, Durable and Paper



Fan type T-300K and T-300D

Technical data

Motor: IP 55

Fan T-300K

Supplied with the following motors:

kW	amp.	Weight of motor kg
22,0	39,0	165
30,0	52,3	246
37,0	64,5	256
45,0	78,0	328

Fan T-300D

Supplied with the following motors:

kW	amp.	Weight of motor kg
30,0	52,3	246
37,0	64,5	266
45,0	78,0	336

Max. min⁻¹:

Impeller: 3.000 min.⁻¹

Operating range P-impeller:

Air volume: 2.000 - 14.000 m³/h

Pressure: 2.500 - 10.800 Pa

Power supply:

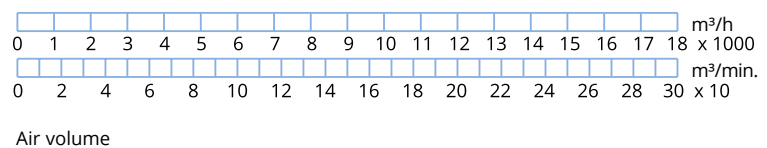
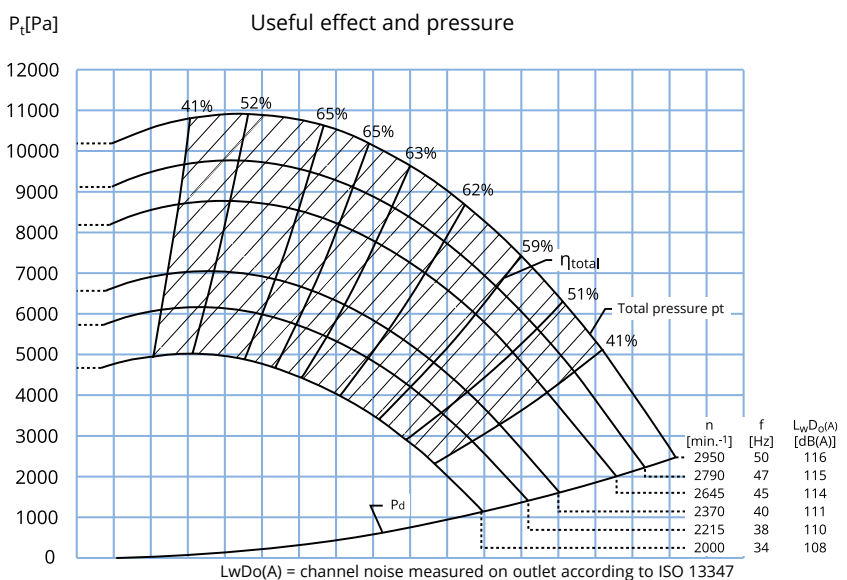
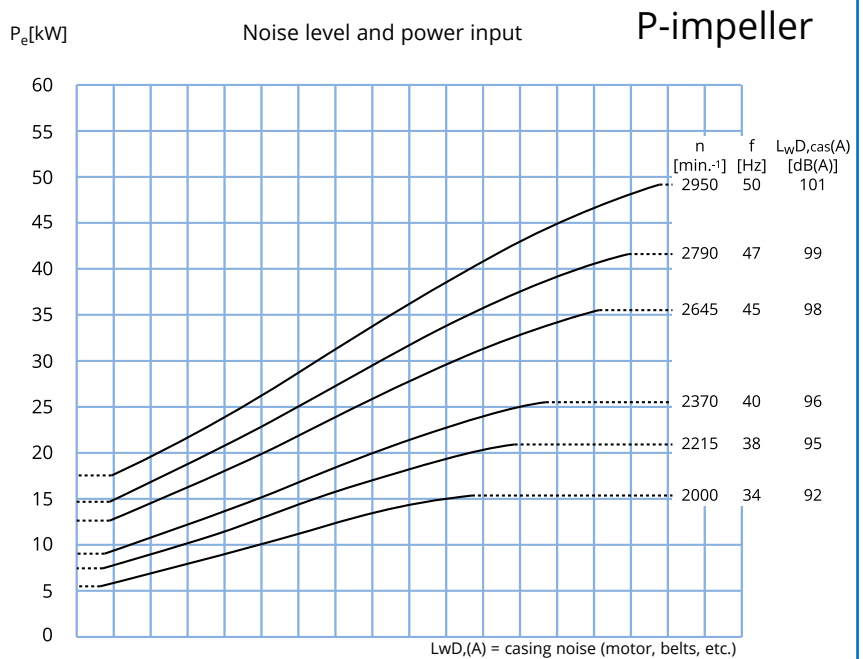
3 x 400 V - 50 Hz.

Construction:

Standard housing with motor stand.

P-impeller:

Standard.



Fan types

JK-30MTDP - JK-40MTDP - JK-50MTDP

The direct drive centrifugal fan types JK-30MTDP, JK-40MTDP and JK-50MTDP are designed for material transport, e.g. wood chips and dust.

Equipped with backward-inclined blades and aerodynamic inlet spigot made from brass.

The impellers are statically and dynamically balanced.

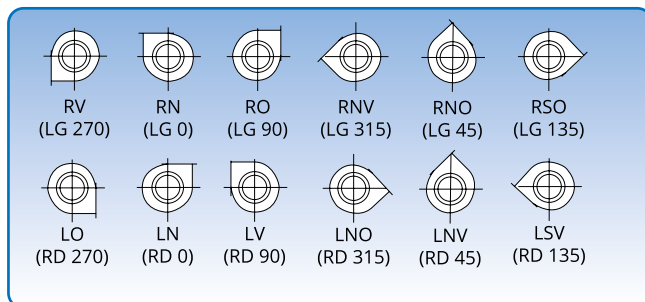
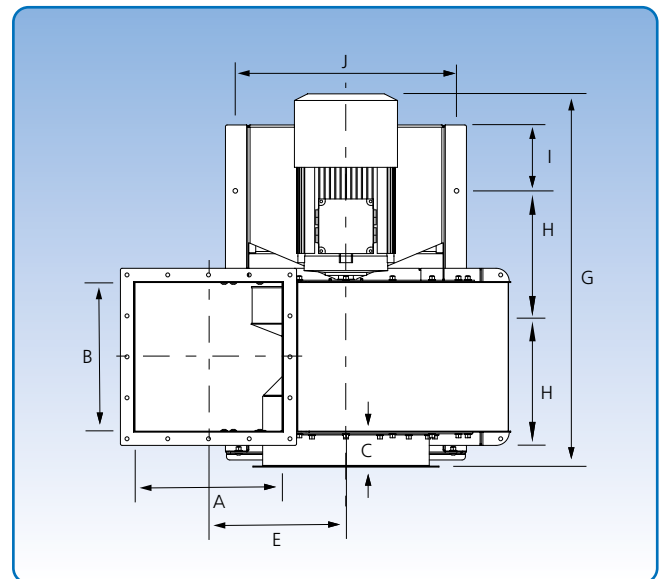
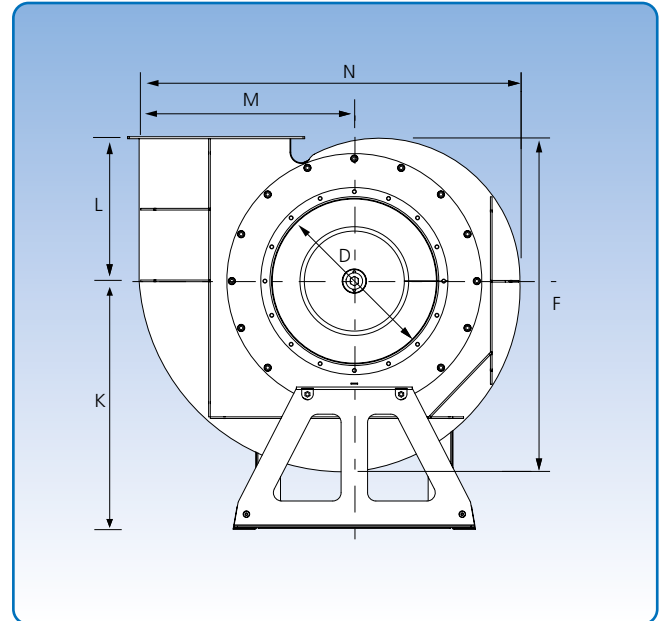
Normally, a frequency transformer is used to control the min^{-1} and the air volume of the fan.

Max. internal operating temperature: 60°C

The inlet (D) is supplied with flange as standard.

Specific dimensions for the outlet and inlet flanges can be found under "Flanges".

The technical data for each type appears on the following pages.



12 positions. The position illustrations are viewed from the inlet side.

Type	Dimensions														Weight without motor kg
	A mm	B mm	C mm	D mm	E mm	F mm	G mm	H mm	I mm	J mm	K mm	L mm	M mm	N mm	
JK-30MTDP	250	250	106	300	318	645	733	275	51	430	550	276	450	768	74
JK-40MTDP	350	350	106	400	368	779	903	370	49	550	650	326	550	1098	106
JK-50MTDP	450	450	106	500	416	1012	1128	370	199	672	750	436	643	1146	184

Fan type JK-30MTDP

Technical data

Motor: IP 55

Supplied with the following motors:

kW	amp.	Weight of motor kg	50 Hz
4,0	7,2	34	2920 min ⁻¹

Max. min⁻¹:

Impeller: 3.000 min⁻¹

Operating range:

Air volume: 2.000 - 6.000 m³/h

Pressure: 150 - 250 mmWG

Power supply:

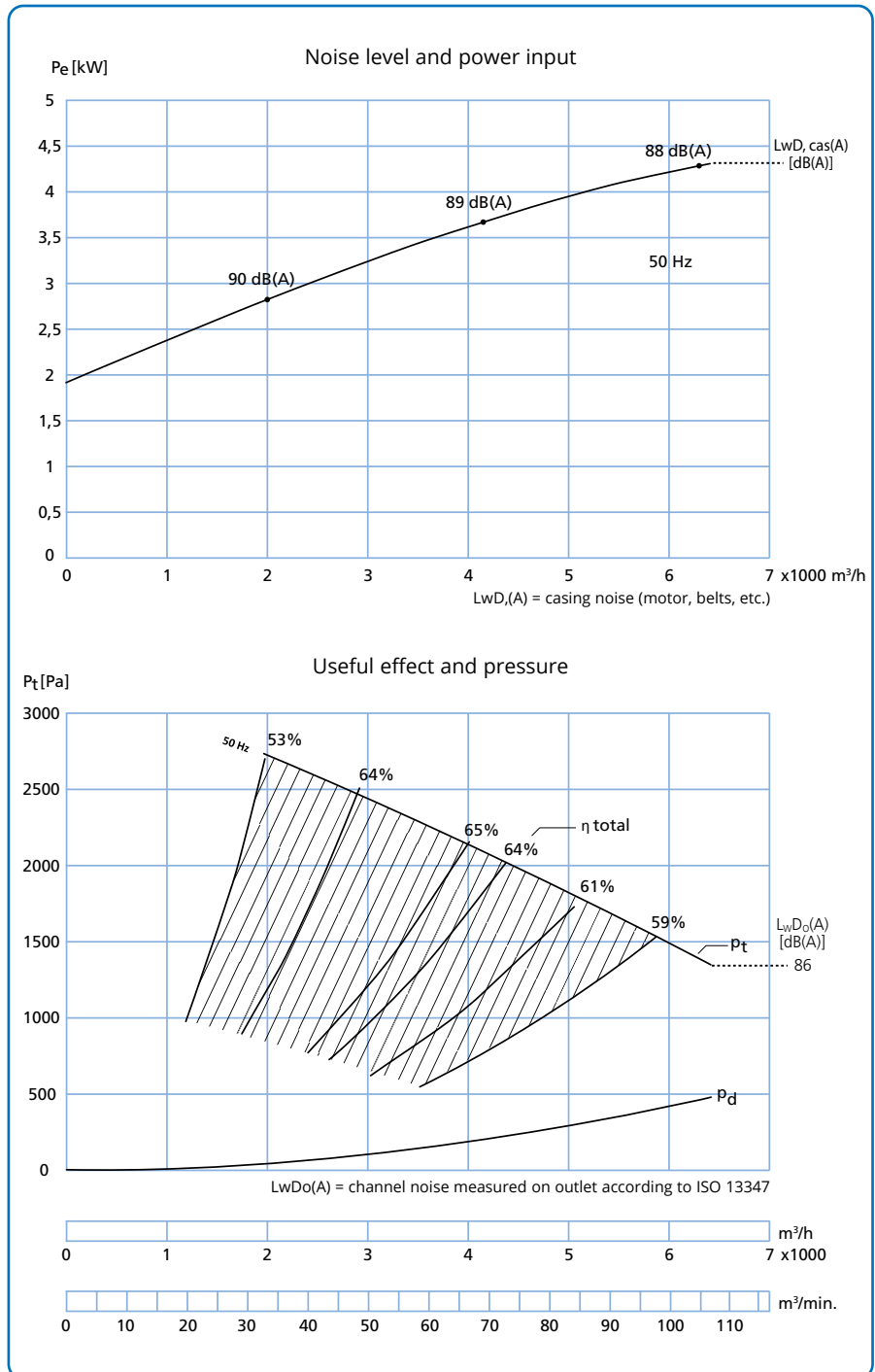
230/400 V

Construction:

Standard housing with motor stand.

Impeller:

Standard.



Fan type JK-40MTDP

Technical data

Motor: IP 55

Supplied with the following motors:

kW	amp.	Weight of motor kg	50 Hz
11,0	19,5	128	2950 min ⁻¹

Max. min⁻¹:

Impeller: 3,000 min⁻¹

Operating range:

Air volume: 5,500 – 10,500 m³/h

Pressure: 165 – 365 mm WG

Power supply:

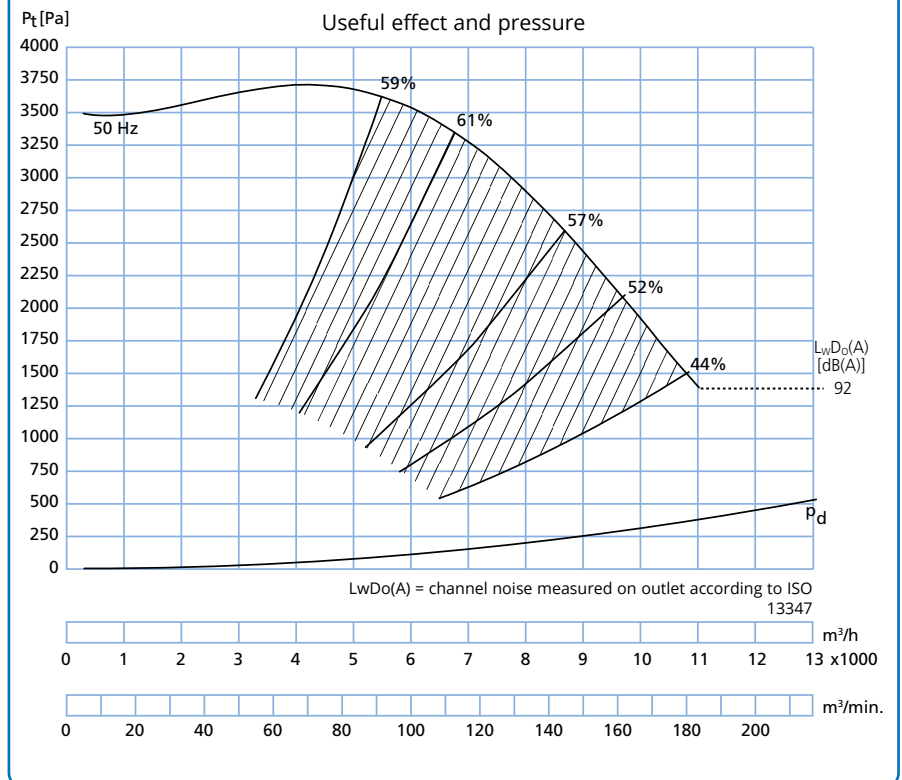
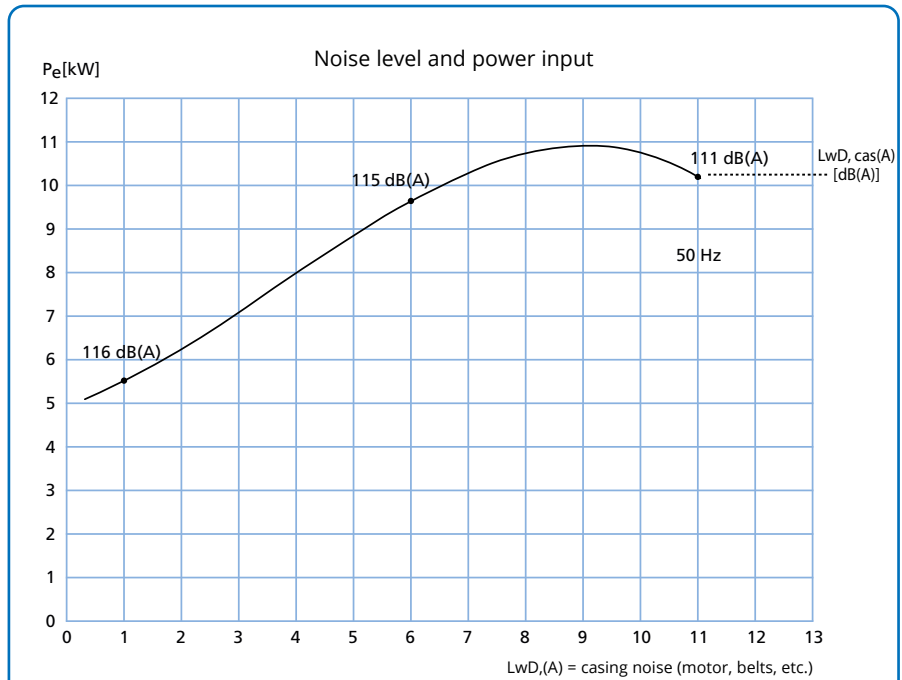
230/400 V

Construction:

Standard housing with motor stand.

Impeller:

Standard.



Fan type JK-50MTDP

Technical data

Motor: IP 55

Supplied with the following motors:

kW	amp.	Weight of motor kg	50 Hz
22,0	38,0	192	2965 min ⁻¹

Max. min⁻¹:

Impeller: 3,000 min⁻¹

Operating range:

Air volume: 8,000 – 16,000 m³/h

Pressure: 230 – 500 mm WG

Power supply:

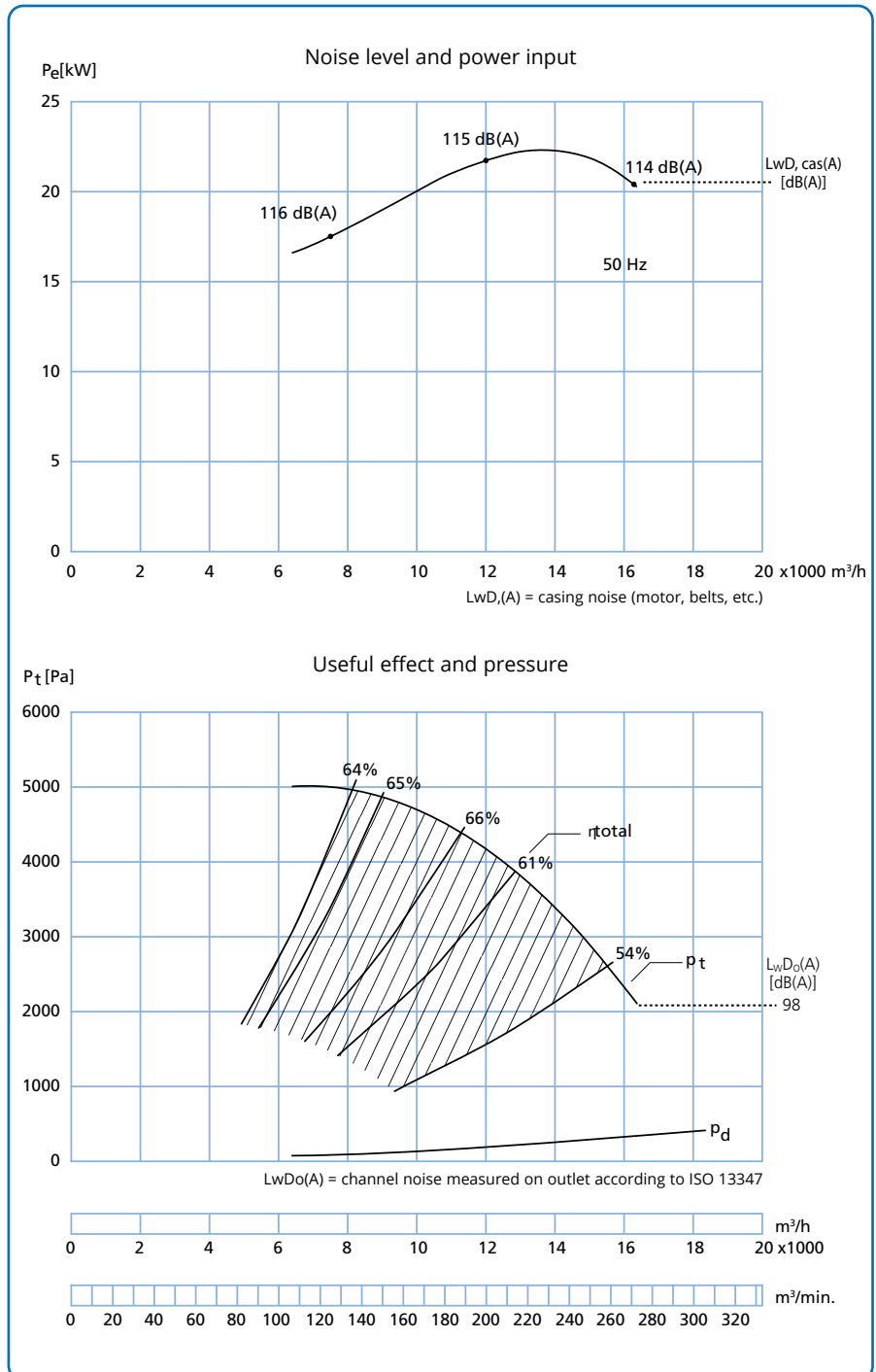
230/400 V

Construction:

Standard housing with motor stand.

Impeller:

Standard.



Fan types

JK-60MTDP - JK-70MTDP - JK-80MTDP - JK-90MTDP

The direct drive centrifugal fan types JK-60MTDP, JK-70MTDP, JK-80MTDP and JK-90MTDP are designed for material transport, e.g. wood chips and dust.

Equipped with backward-inclined blades and aerodynamic inlet spigot made from brass.

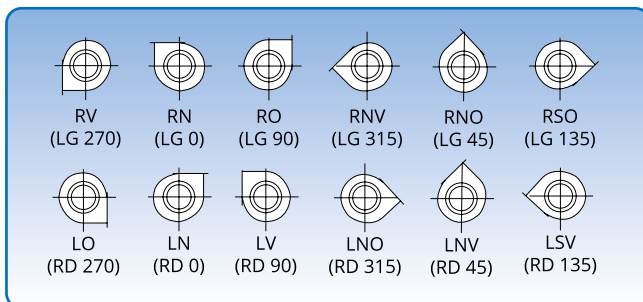
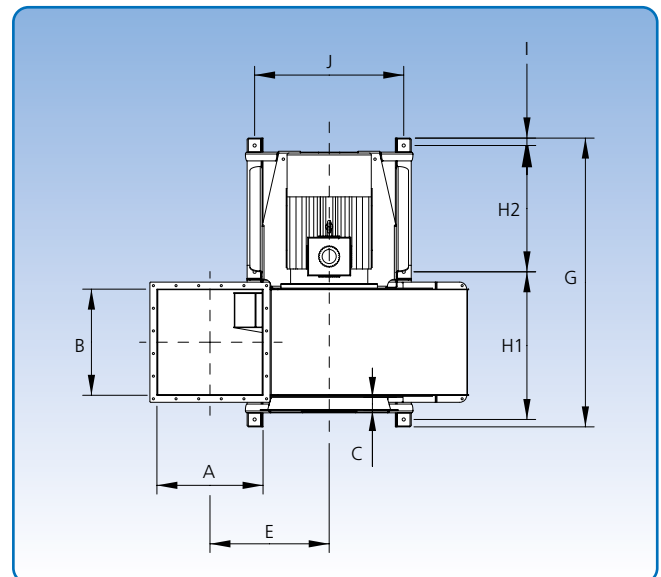
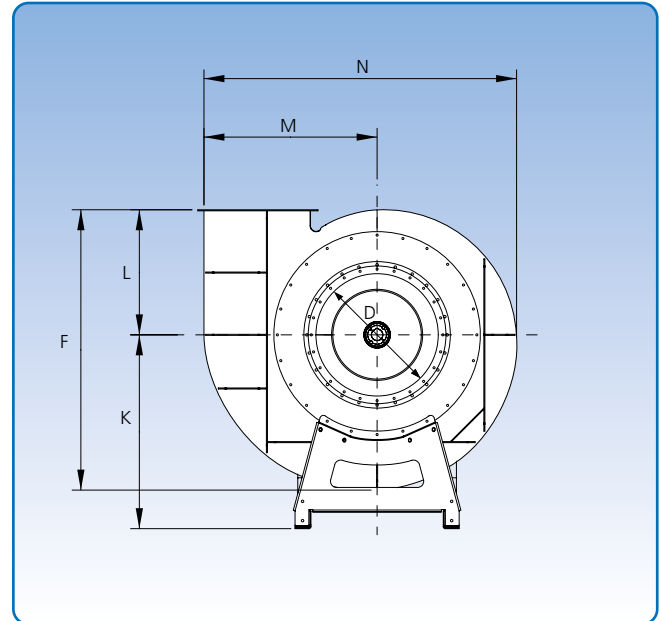
The impellers are statically and dynamically balanced.

Max. internal operating temperature: 60°C

The inlet (D) is supplied with flange as standard.

Specific dimensions for the outlet and inlet flanges can be found under "Flanges".

The technical data for each type appears on the following pages.



12 positions. The position illustrations are viewed from the inlet side.

Type	Dimensions															Weight without motor kg
	A mm	B mm	C mm	D mm	E mm	F mm	G mm	H1 mm	H2 mm	I mm	J mm	K mm	L mm	M mm	N mm	
JK-60MTDP	505	505	75	600	655	1515	1481	742	655	42	850	1032	685	906	1659	455
JK-70MTDP	605	605	75	700	680	1598	1646	842	720	42	850	1105	713	979	1773	521
JK-80MTDP	705	705	75	800	711	1691	1821	942	795	42	1000	1188	744	1062	1901	610
JK-90MTDP	805	805	75	900	718	1762	1990	1071	832	44	1020	1264	771	1120	1994	777

Fan type JK-60MTDP

Technical data

Motor: IP 55

Supplied with the following motors:

kW	amp.	Weight of motor kg	50 Hz
45,0	77,0	345	1480 min ⁻¹

Max. min⁻¹:

Standard impeller: 1,500 min⁻¹.

Operating range:

Air volume: 11,000 - 32,000 m³/h

Pressure: 310 - 560 mmWG

Power supply:

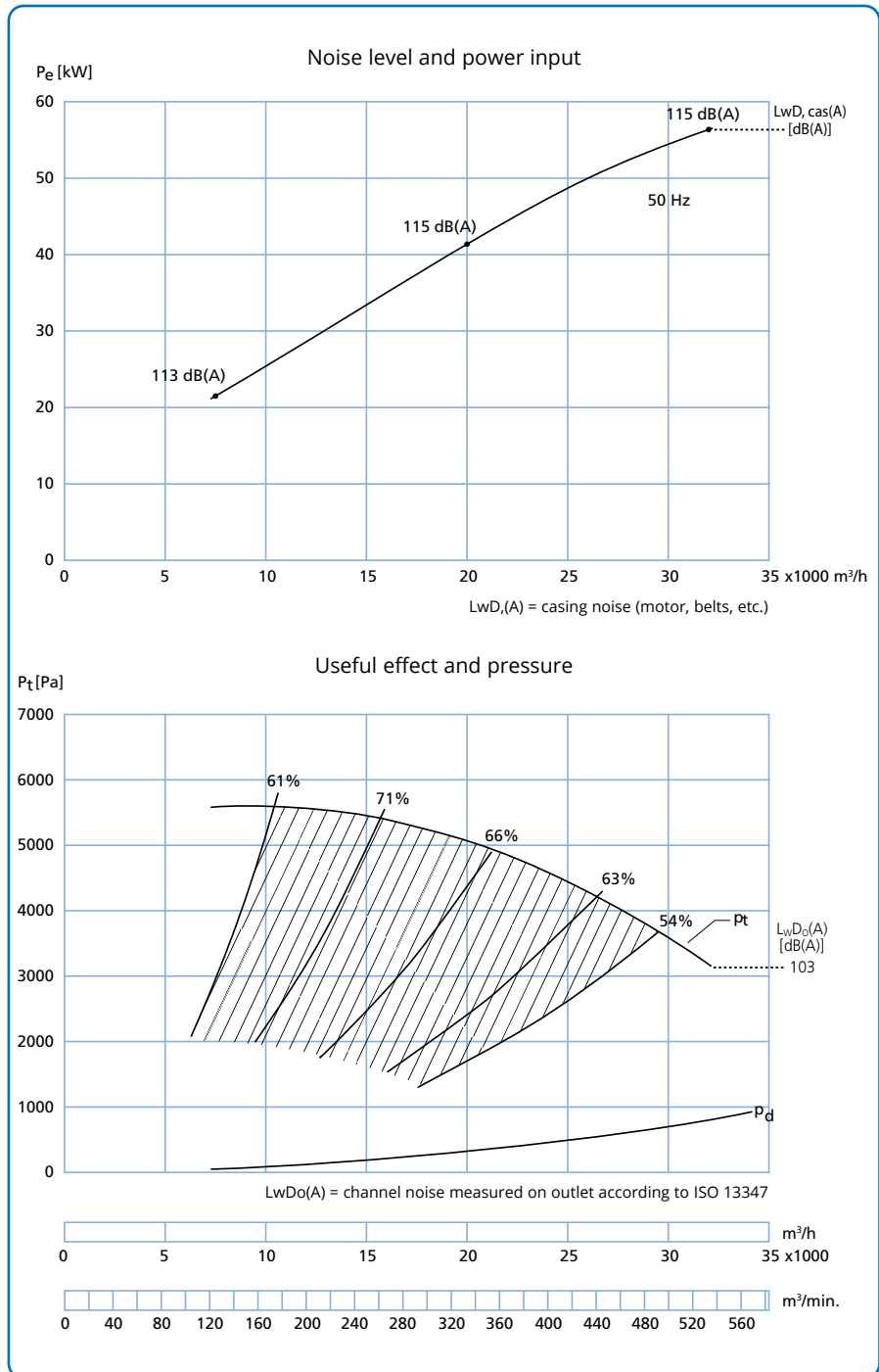
3 × 400 V.

Construction:

Standard housing with motor stand.

Impeller:

Standard.



Fan type JK-70MTDP

Technical data

Motor: IP 55

Supplied with the following motors:

kW	amp.	Weight of motor kg	50 Hz
55,0	96,0	421	1480 min ⁻¹

Max. min⁻¹:

Standard impeller: 1,500 min⁻¹.

Operating range:

Air volume: 17,500 - 40,000 m³/h

Pressure: 260 - 550 mmWG

Power supply:

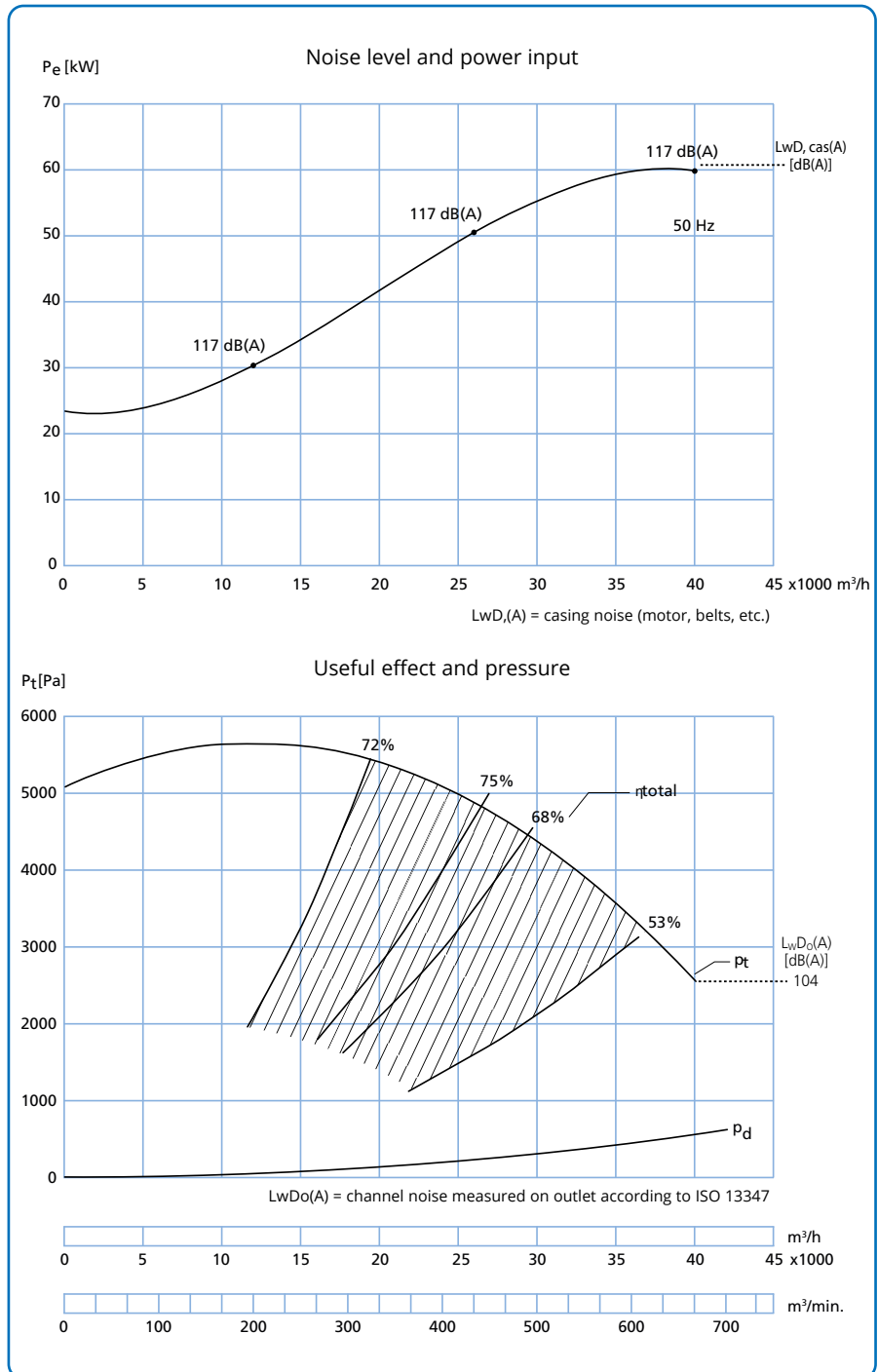
3 × 400 V.

Construction:

Standard housing with motor stand.

Impeller:

Standard.



Fan type JK-80MTDP

Technical data

Motor: IP 55

Supplied with the following motors:

kW	amp.	Weight of motor kg	50 Hz
75,0	130,0	538	1490 min ⁻¹

Max. min⁻¹:

Standard impeller: 1,500 min⁻¹.

Operating range:

Air volume: 17,500 - 62,500 m³/h

Pressure: 240 - 520 mmWG

Power supply:

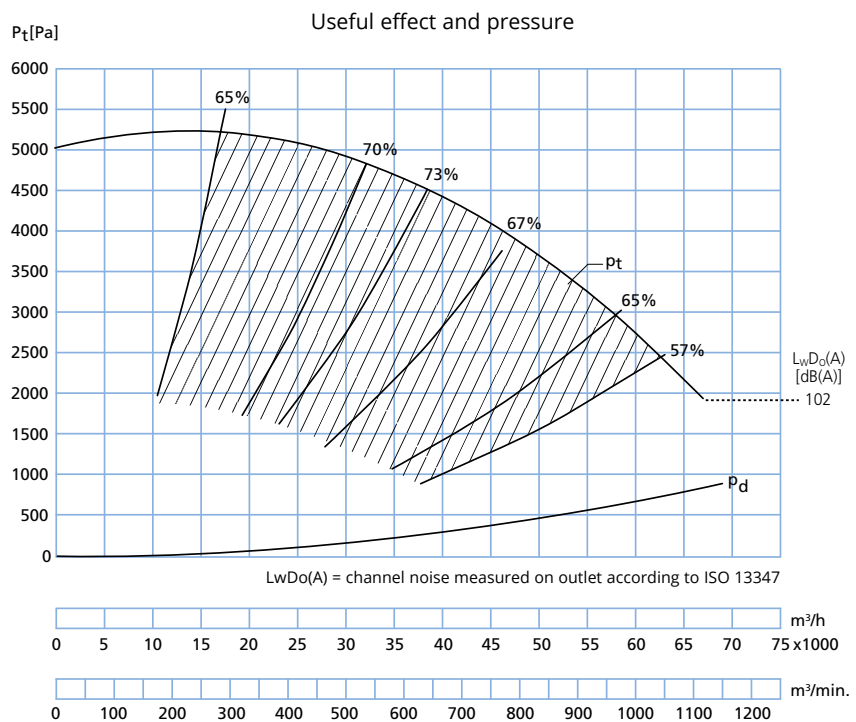
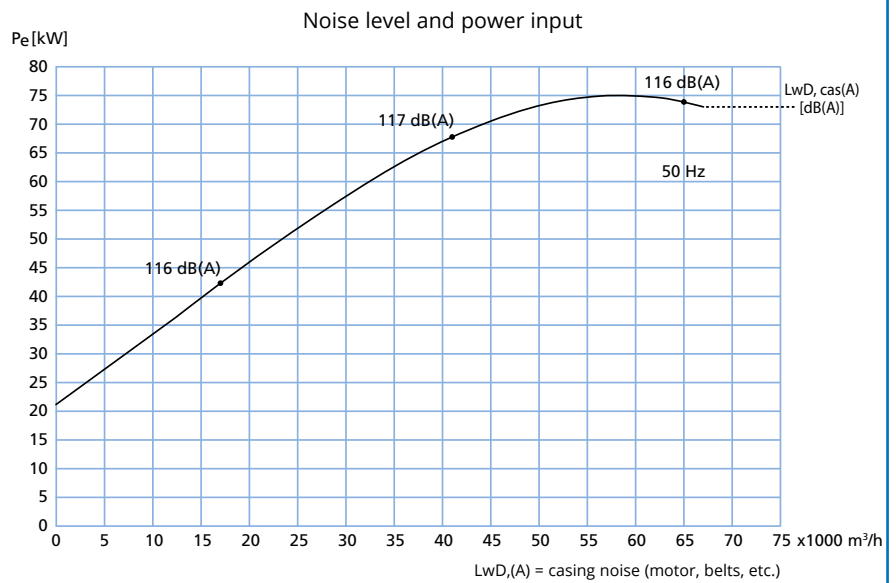
3 × 400 V.

Construction:

Standard housing with motor stand.

Impeller:

Standard.



Fan type JK-90MTDP

Technical data

Motor: IP 55

Supplied with the following motors:

kW	amp.	Weight of motor kg	50 Hz
90,0	153,0	638	1480 min ⁻¹

Max. min-1:

Standard impeller: 1.500 min⁻¹.

Operating range:

Air volume: 22,000 - 77,000 m³/h

Pressure: 250 - 480 mmWG

Power supply:

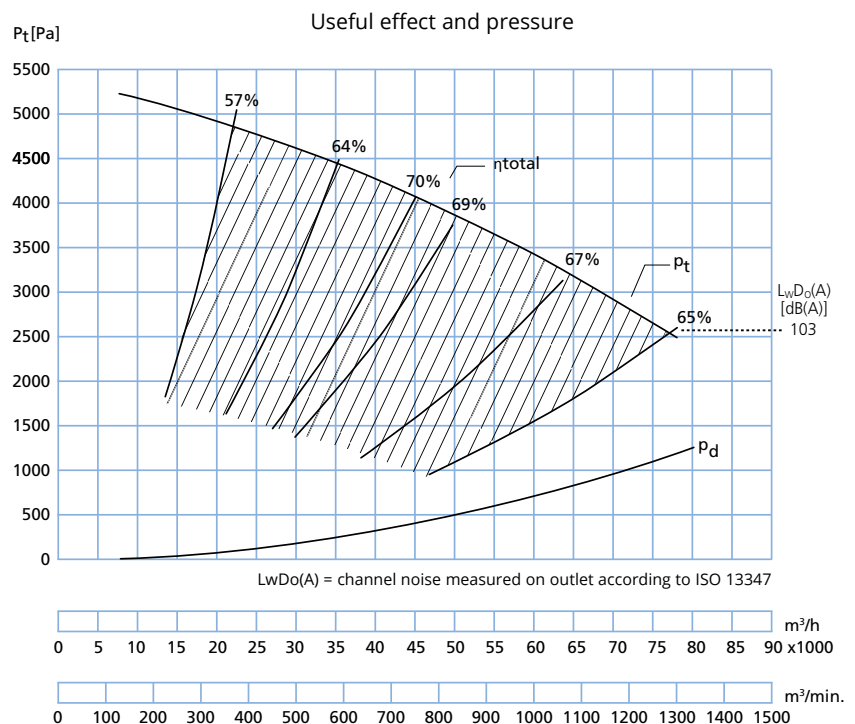
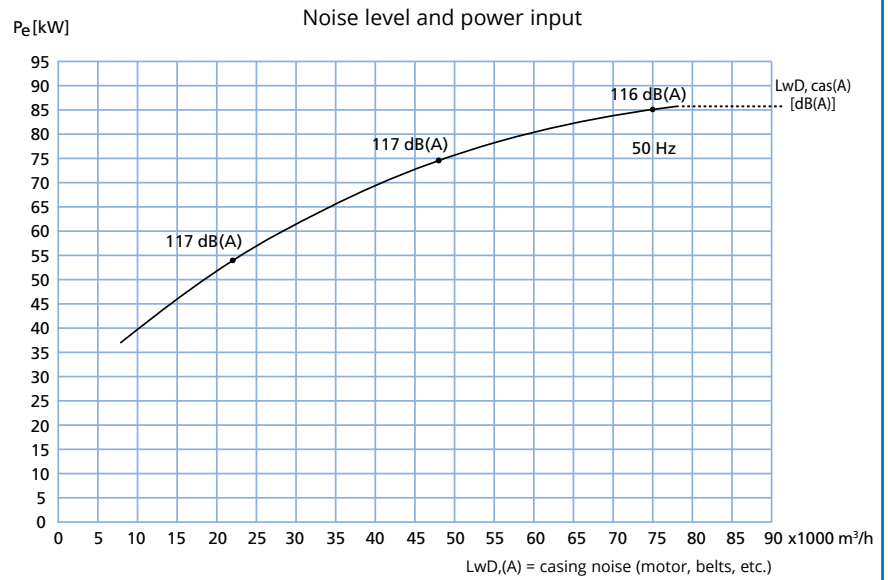
3 × 400 V.

Construction:

Standard housing with motor stand.

Impeller:

Standard.



Fan types

JK-30MTD - JK-40MTD - JK-50MTD

The direct drive centrifugal fan types JK-30MTD, JK-40MTD and JK-50MTD are designed for transport of clean air.

Equipped with backward-inclined blades and aerodynamic intake.

The impellers are statically and dynamically balanced.

Normally, a frequency transformer is used to control the min^{-1} and the air volume of the fan.

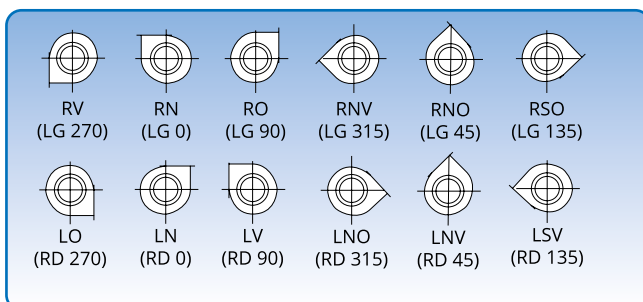
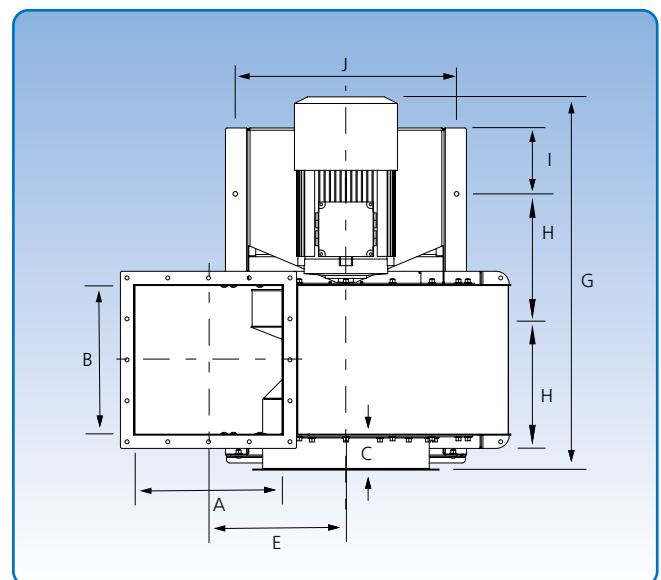
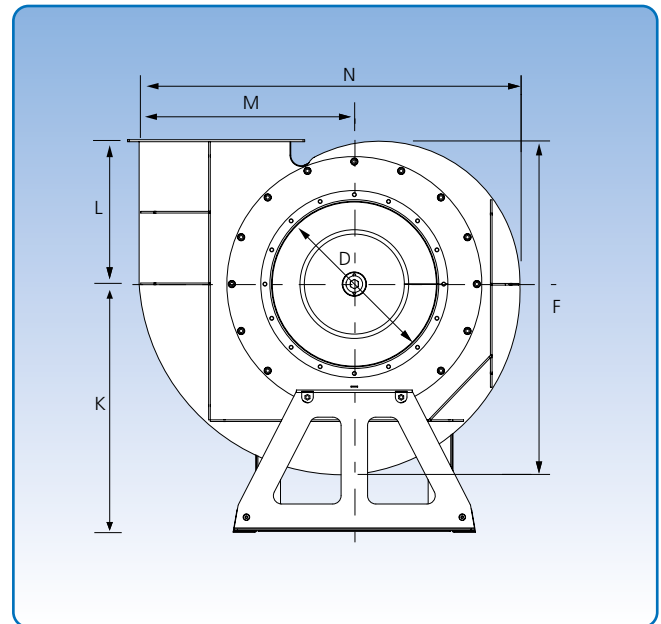
Max. internal operating temperature: 60°C

The inlet (D) is supplied with flange as standard.

Specific dimensions for the outlet and inlet flanges can be found under "Flanges".

Available with stainless steel inlet and explosion proof (Eex) motor.

The technical data for each type appears on the following pages.



6 positions. The position illustrations are viewed from the inlet side.

Type	Dimensions														Weight without motor kg
	A mm	B mm	C mm	D mm	E mm	F mm	G mm	H mm	I mm	J mm	K mm	L mm	M mm	N mm	
JK-30MTD	250	250	106	300	318	645	733	275	51	430	550	276	450	768	37
JK-40MTD	350	350	106	400	368	779	903	370	49	550	650	326	550	1098	119
JK-50MTD	450	450	106	500	416	1012	1128	370	199	672	750	436	643	1146	206

Fan type JK-30MTD

Technical data

Motor: IP 55

Supplied with the following motors:

kW	amp.	Weight of motor kg	50 Hz
4,0	7,8	34	2880 min ⁻¹

Max. min⁻¹:

Impeller: 3.000 min⁻¹

Operating range:

Air volume: 2,000 – 6,000 m³/h

Pressure: 120 – 330 mm WG

Power supply:

230/400 V.

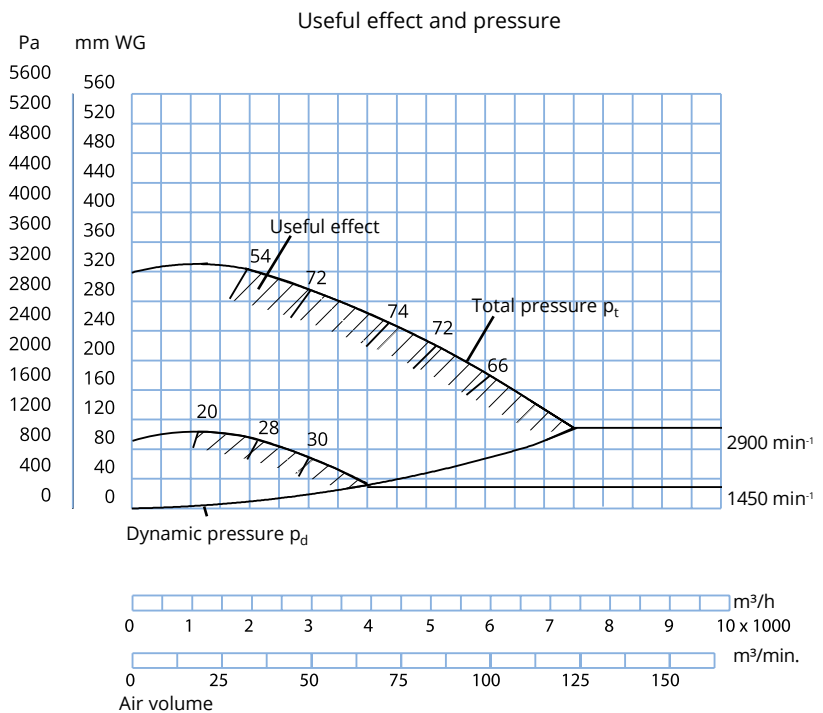
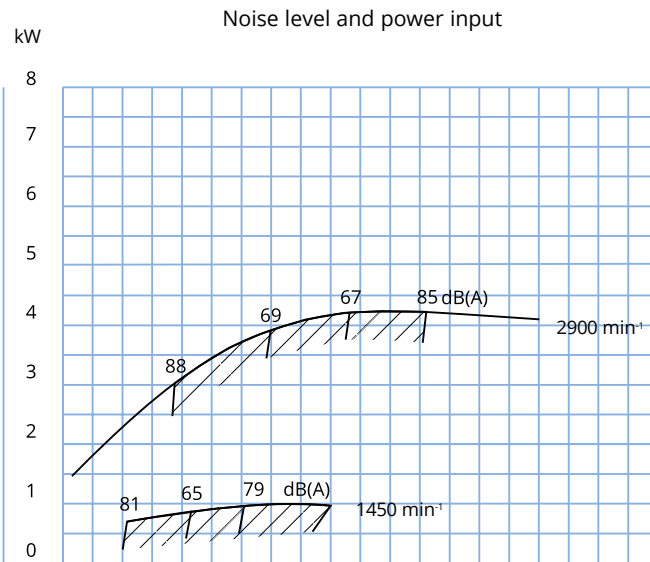
Can be delivered as 440 V, 60 Hz.

Construction:

Standard.

Impeller:

Standard.



Fan type JK-40MTD Technical data

Motor: IP 55

Supplied with the following motors:

kW	amp.	Weight of motor kg	50 Hz
11,0	20,2	122	2940
15,0	26,0	140	2950
18,5	32,0	159	2950

Max. min⁻¹:

Impeller: 3.000 min⁻¹

Operating range:

Air volume: 2,500 – 14,000 m³/h

Pressure: 120 – 460 mm WG

Power supply:

230/400 V.

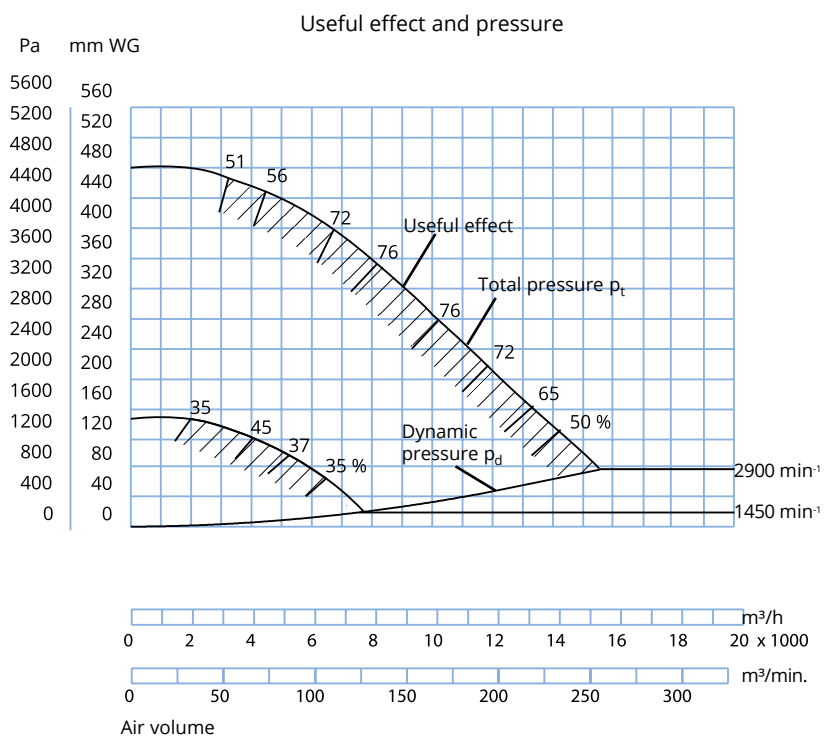
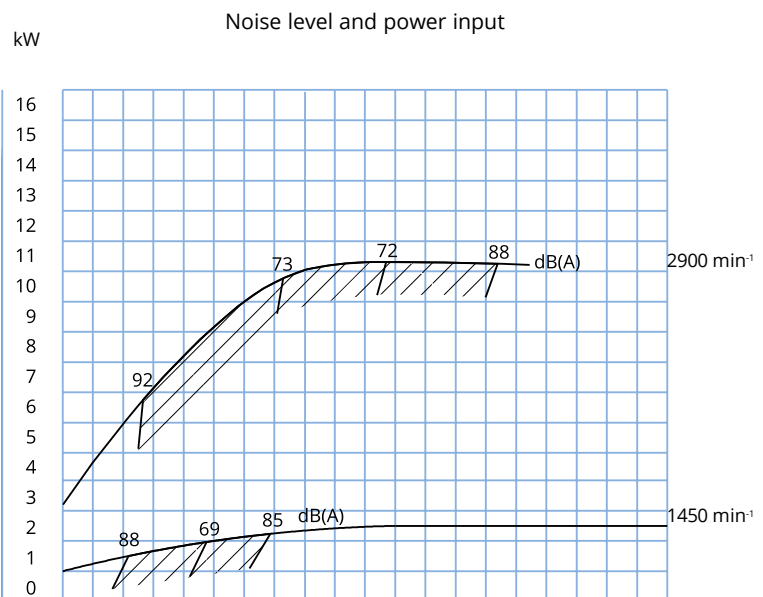
Can be delivered as 440 V, 60 Hz

Construction:

Standard.

Impeller:

Standard.



Fan type JK-50MTD

Technical data

Motor: IP 55

Supplied with the following motors:

kW	amp.	Weight of motor kg	50 Hz
18,5	32,0	159	2960
22,0	38,0	204	2960

Max. min⁻¹:

Impeller: 3.000 min⁻¹

Operating range:

Air volume: 2,500 – 22,000 m³/h

Pressure: 160 – 590 mm WG

Power supply:

230/400 V.

Can be delivered as 440 V, 60 Hz

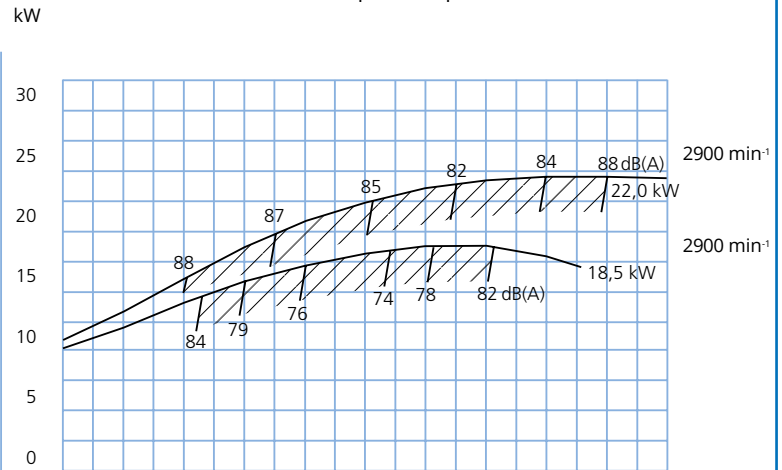
Construction:

Standard.

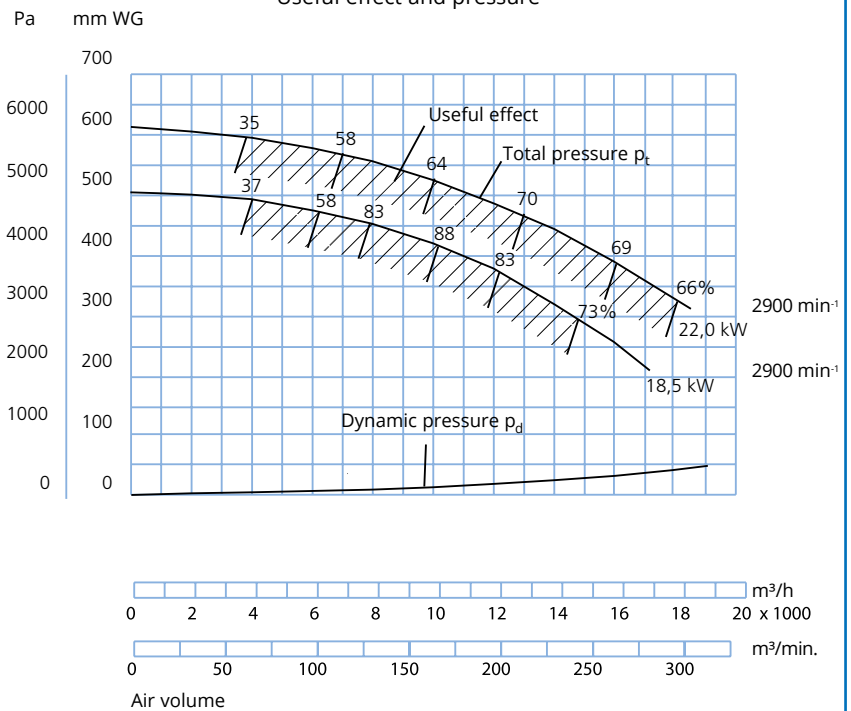
Impeller:

Standard.

Noise level and power input



Useful effect and pressure



Fan types JK-55MTD - JK-90MTD

The direct drive centrifugal fan types JK-55MTD – JK-90MTD are designed for transport of clean air:

Equipped with backward-inclined blades and aerodynamic intake.

The impellers are statically and dynamically balanced.

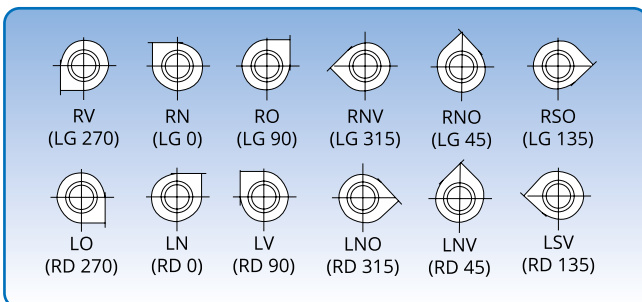
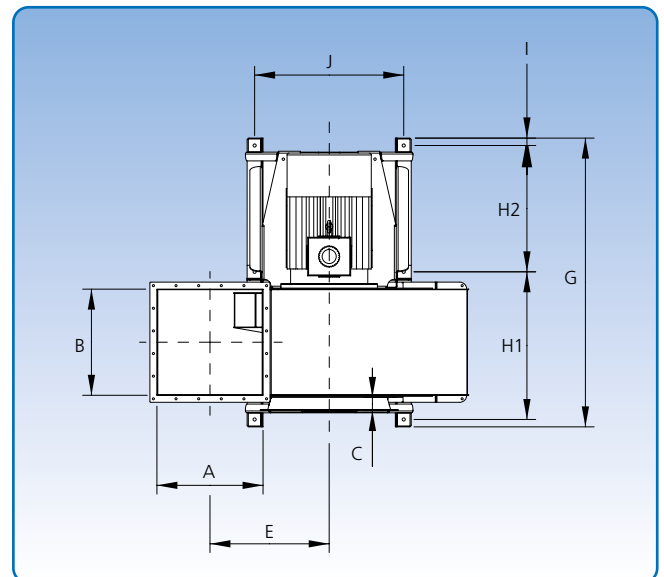
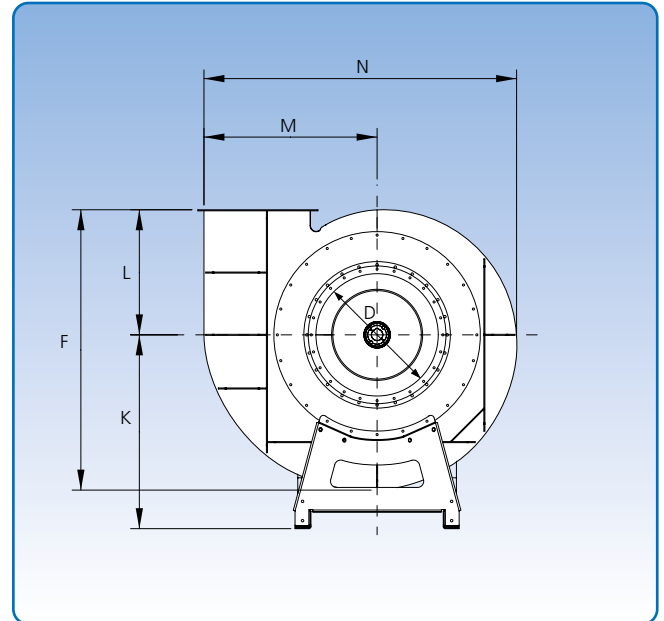
Max. internal operating temperature: 60°C

The inlet (D) is supplied with flange as standard.

Specific dimensions for the outlet and inlet flanges can be found under “Flanges”.

Available in stainless steel inlet and explosion proof (Ex) motor.

The technical data for each type appears on the following pages.



6 positions. The position illustrations are viewed from the inlet side.

Dimensions																
Type	A mm	B mm	C mm	D mm	E mm	F mm	G mm	H1 mm	H2 mm	I mm	J mm	K mm	L mm	M mm	N mm	Weight without motor kg
JK-55MTD	505	505	173	550	655	1515	1481	742	655	42	850	1032	685	906	1659	441
JK-60MTD	505	505	75	600	655	1515	1481	742	655	42	850	1032	685	906	1659	444
JK-70MTD	605	605	75	700	680	1598	1646	842	720	42	850	1105	713	979	1773	491
JK-80MTD	705	705	75	800	711	1691	1821	942	795	42	1000	1188	744	1062	1901	564
JK-90MTD	805	805	75	900	718	1762	1990	1071	832	44	1020	1264	771	1120	1994	807

Fan type JK - 55 MTD

Technical data

Motor: IP 55

Supplied with the following motors:

kW	amp.	Weight of motor kg	50 Hz
22,0	38,5	215	1470
30,0	53,0	290	1480

Max. min-1:

Standard impeller: 1.500 min⁻¹.

Operating range:

Pressure: 280 - 450 mmWG

Power supply:

400 V.

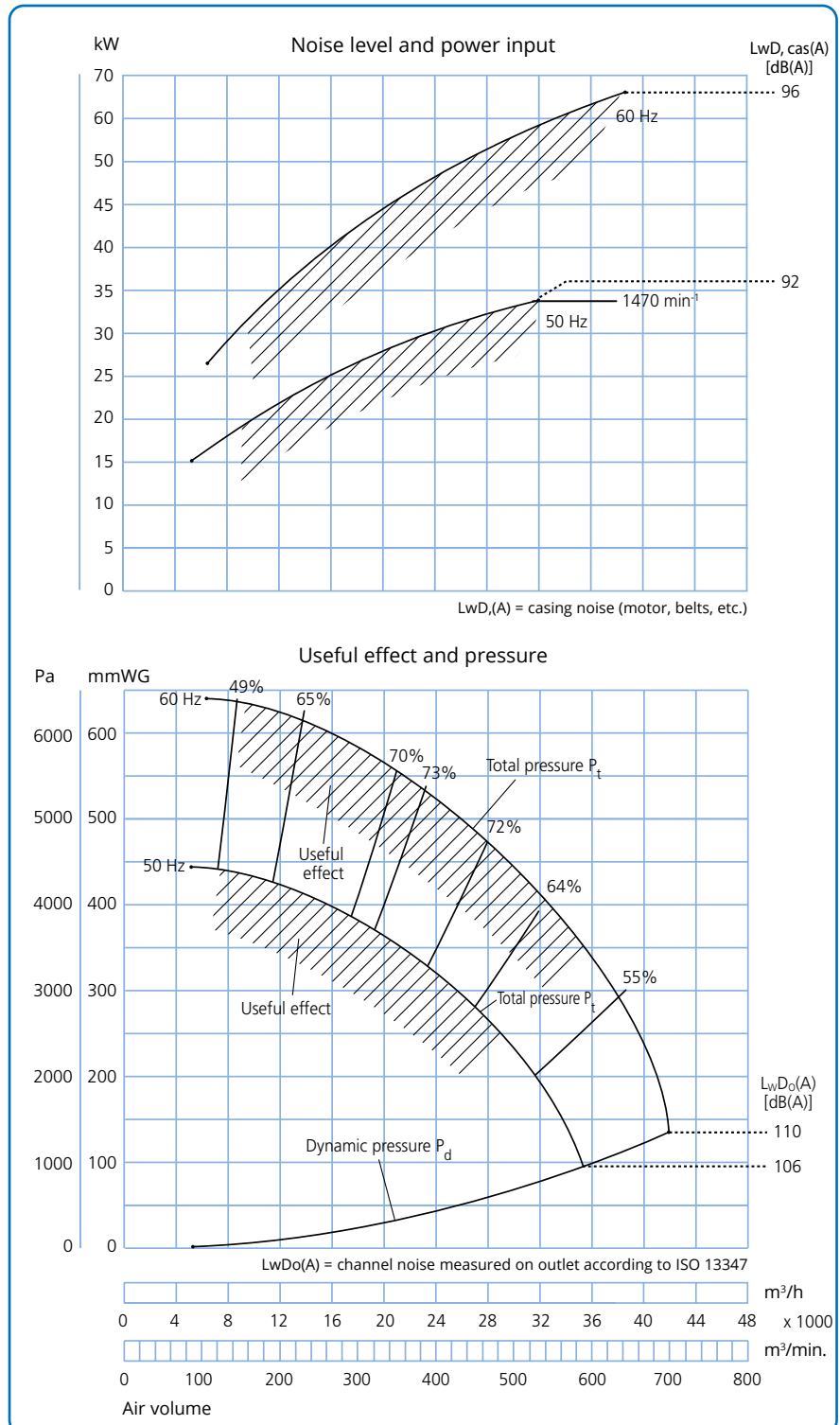
Can be delivered as 440 V, 60 Hz

Construction:

Standard.

Impeller:

Standard.



Fan type JK-60MTD Technical data

Motor: IP 55

Supplied with the following motors:

kW	amp.	Weight of motor kg	50 Hz
37,0	66,0	326	1480
45,0	77,5	350	1480

Max. min⁻¹:

Standard impeller: 1.500 min⁻¹.

Operating range:

Air volume: 4,000 - 43,000 m³/h

Pressure: 180 - 500 mmWG

Power supply:

400 V.

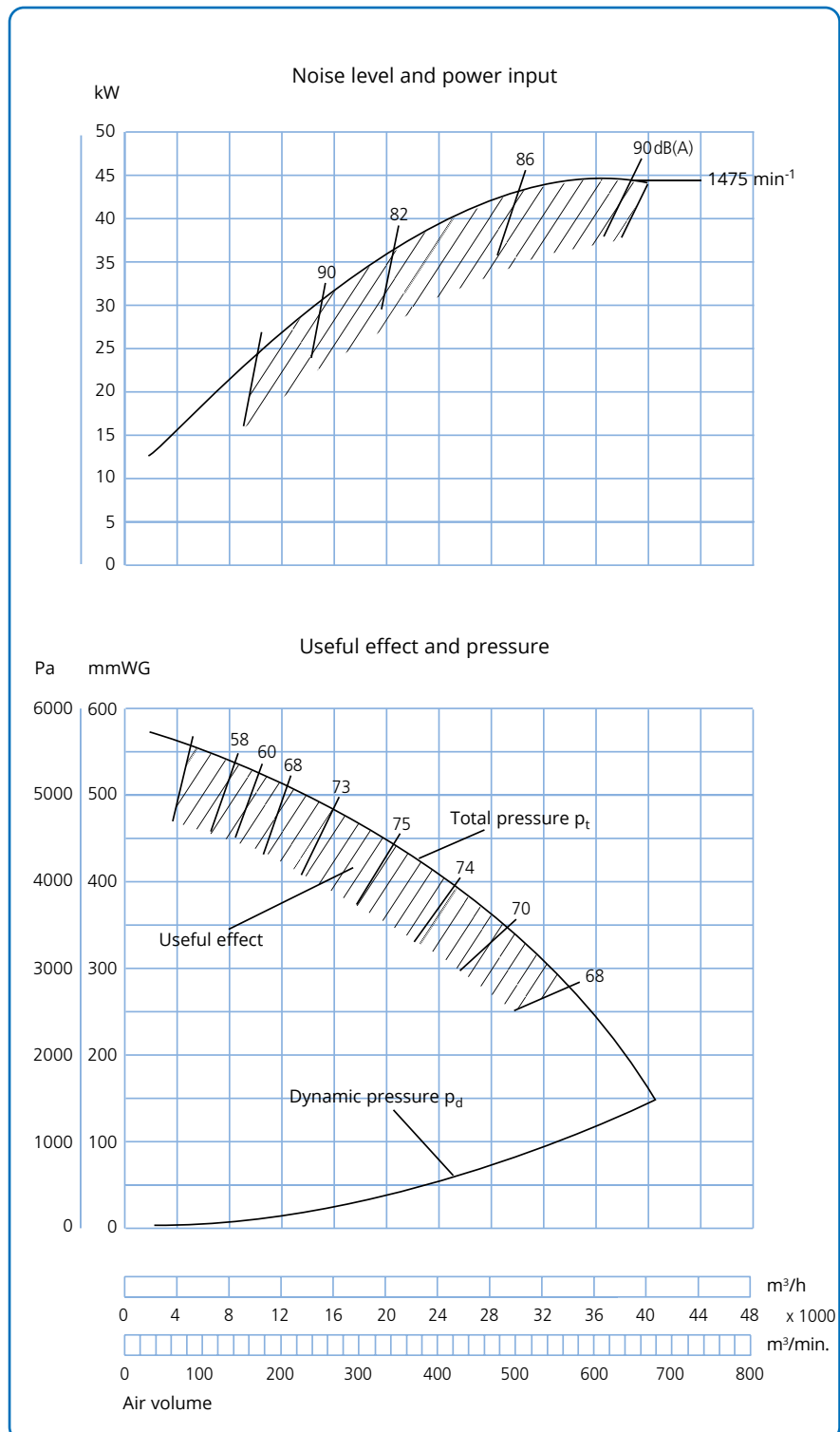
Can be delivered as 440 V, 60 Hz

Construction:

Standard.

Impeller:

Standard.



Fan type JK-70MTD Technical data

Motor: IP 55

Supplied with the following motors:

kW	amp.	Weight of motor kg	50 Hz
37,0	66,0	326	1480
45,0	77,5	350	1480
55,0	96,0	486	1480

Max. min⁻¹:

Standard impeller: 1.500 min⁻¹.

Operating range:

Air volume: 6,000 - 59,000
m³/h

Pressure: 170 - 520 mmWG

Power supply:

400 V.

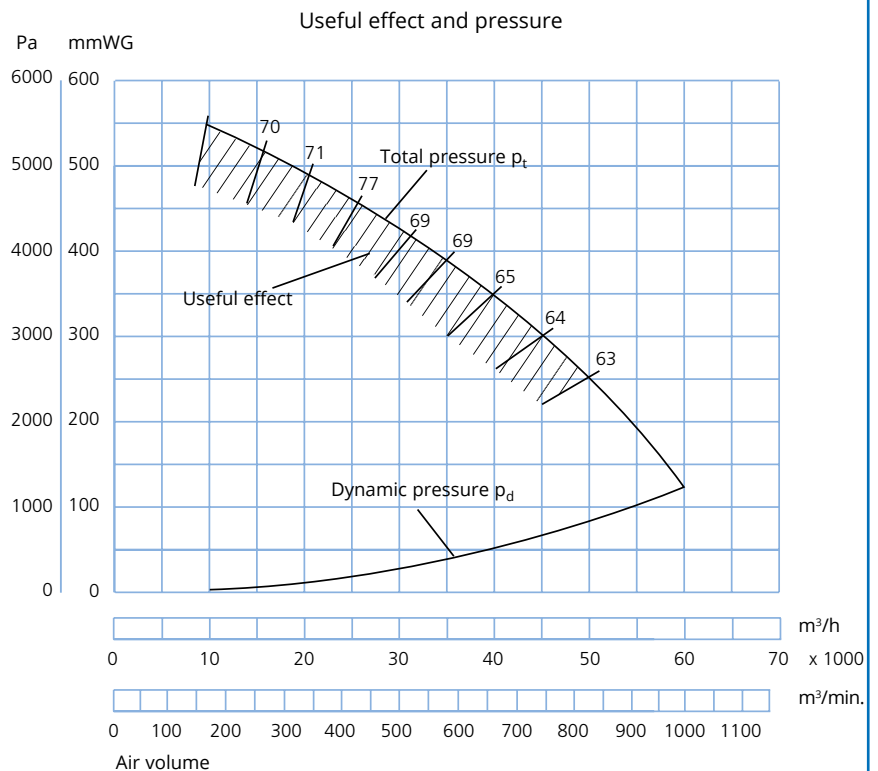
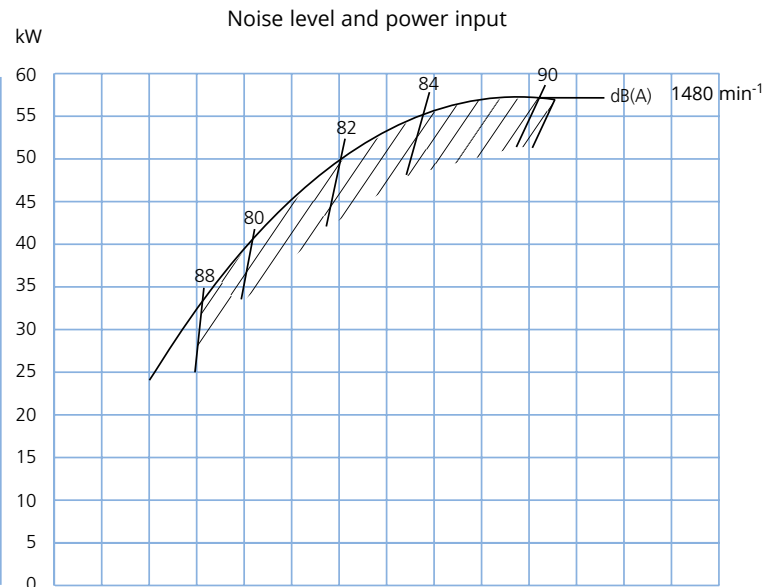
Can be delivered as 440 V, 60 Hz

Construction:

Standard.

Impeller:

Standard.



Fan type JK-80MTD Technical data

Motor: IP 55

Supplied with the following motors:

kW	amp.	Weight of motor kg	50 Hz
55,0	96,0	486	1480
75,0	124	594	1490

Max. min⁻¹:

Standard impeller: 1,500 min⁻¹.

Operating range:

Air volume: 8,000 - 76,000 m³/h

Pressure: 190 - 550 mmWG

Power supply:

400 V.

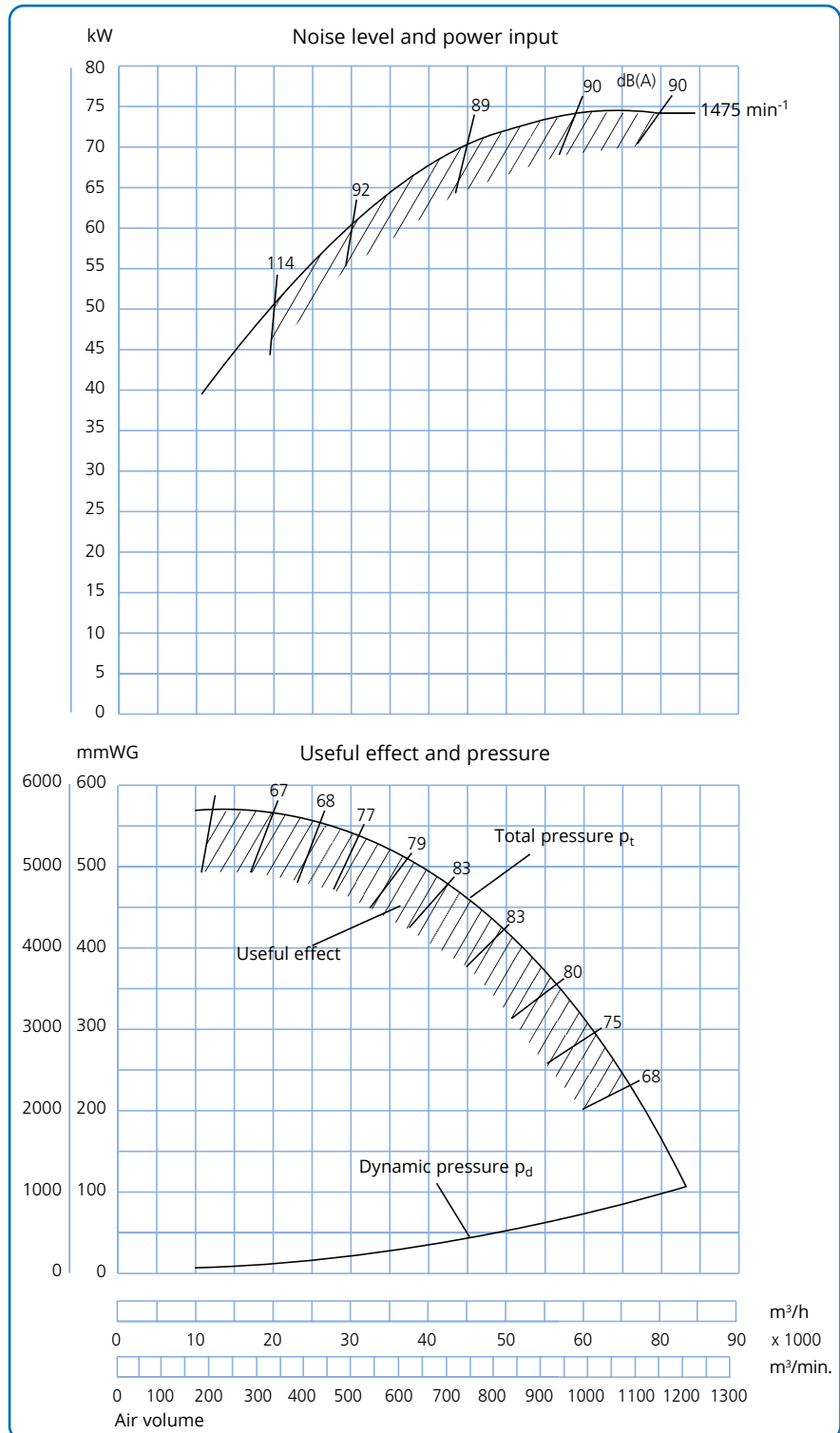
Can be delivered as 440 V, 60 Hz

Construction:

Standard.

Impeller:

Standard.



Fan type JK-90MTD Technical data

Motor: IP 55

Supplied with the following motors:

kW	amp.	Weight of motor kg	50 Hz
75,0	124	594	1490
90,0	150	694	1490
110	186	912	1490

Max. min⁻¹:

Standard impeller: 1,500 min⁻¹.

Operating range:

Air volume: 10,000 - 85,000

m³/h

Pressure: 250 - 600 mmWG

Power supply:

400 V.

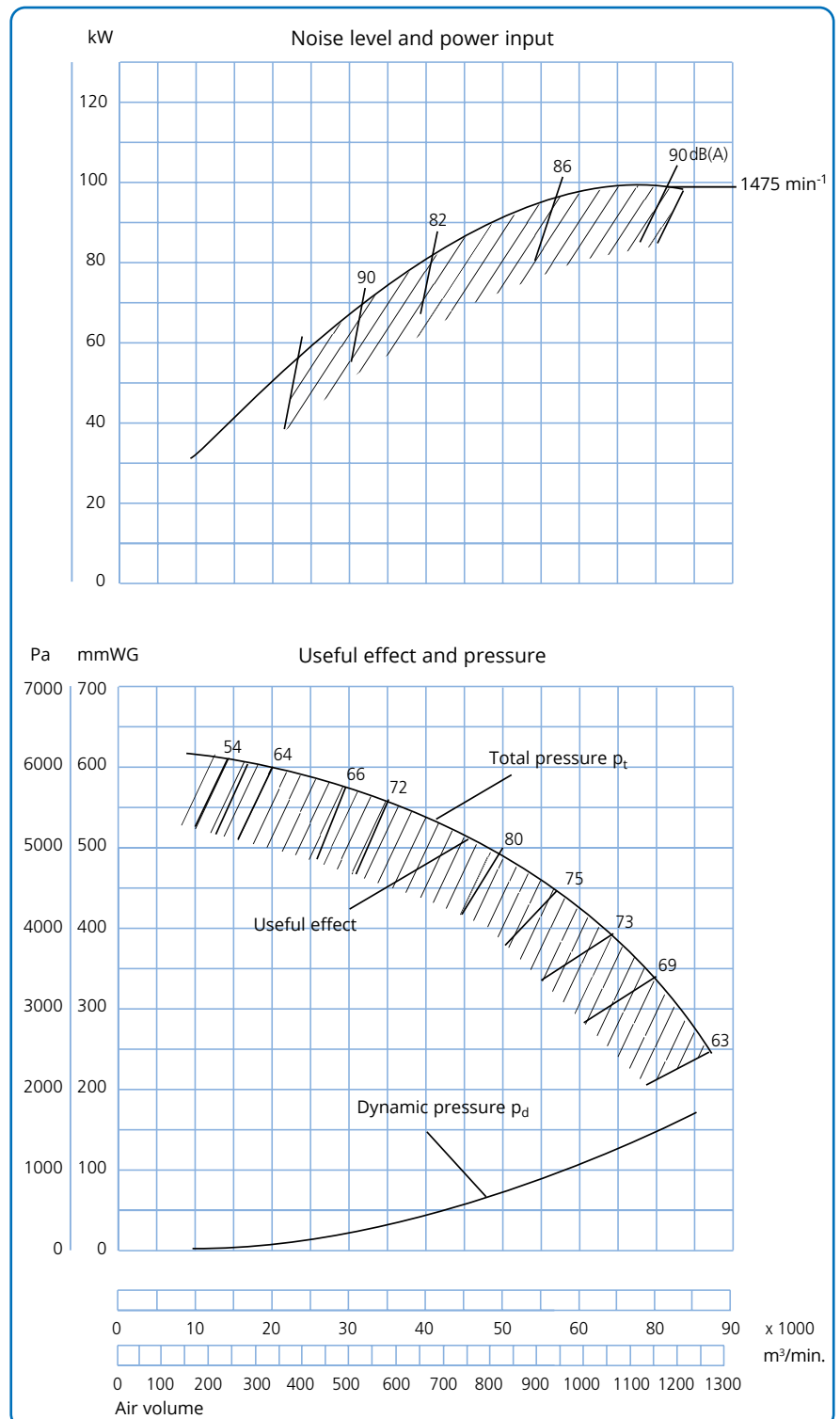
Can be delivered as 440 V, 60 Hz

Construction:

Standard.

Impeller:

Standard.



Fan types JK-30MT - JK-100MT

The indirect drive centrifugal fan types JK-30MT - JK-100MT are designed for transport of clean air.

Equipped with self-cleaning impellers with backward-inclined blades and aerodynamic intake. The impellers are statically and dynamically balanced.

The pulleys are shaft-mounted with taperlock bushing, allowing easy replacement for changed fan speed.

Max. internal operating temperature: 60°C
With cooling wings: Up to 200°C

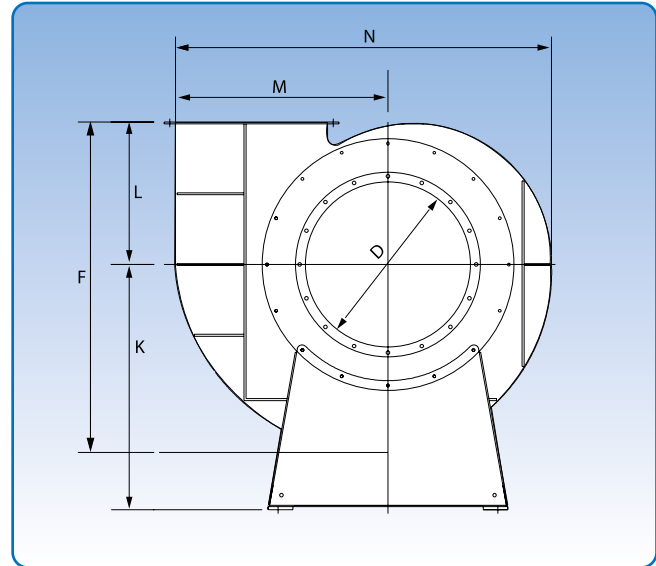
Available in stainless steel inlet and explosion-proof (Eex) motor.

Dimensions (D) for the inlet are external. Supplied with flange as standard.

Belt drive is anti-static.

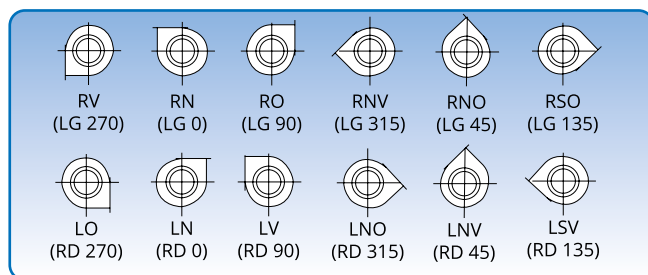
Specific dimensions for outlet and inlet flanges can be found under "Flanges".

The technical data for each type appears on the following pages.

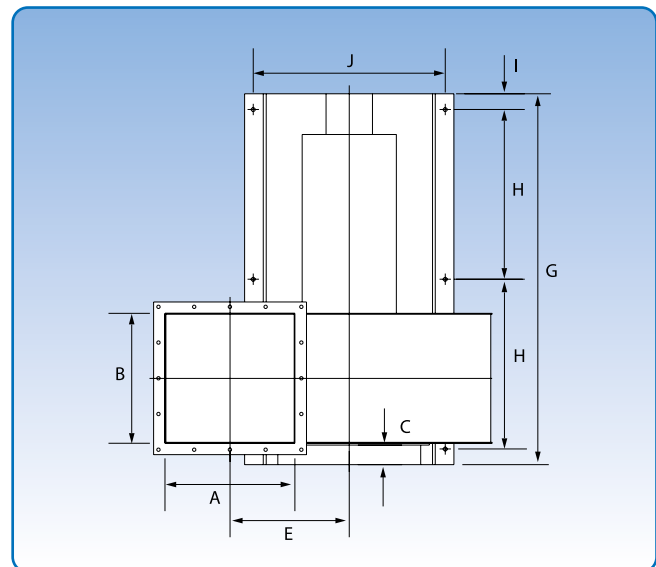


Steel plate dimensions in mm

Type	JK-30MT - JK-60MT	JK-70MT - JK-90MT	JK-100MT
Impeller - standard	3	4	5
Fan housing - standard	3	3	3



6 positions. The position illustrations are viewed from the inlet side.



Type	Dimensions														Weight without motor kg
	A mm	B mm	C mm	D mm	E mm	F mm	G mm	H mm	I mm	J mm	K mm	L mm	M mm	N mm	
JK-30MT	250	250	75	300	318	650	880	370	55	430	550	275	450	775	142
JK-40MT	350	350	75	400	368	775	1128	494	55	550	650	325	550	925	226
JK-50MT	455	455	75	500	418	1000	1328	587	55	672	750	436	650	1150	343
JK-60MT	505	505	75	600	543	1186	1563	700	59	825	955	486	800	1400	554
JK-70MT	605	605	75	700	593	1360	1895	855	70	850	1125	566	900	1570	703
JK-80MT	705	705	75	800	643	1490	1995	905	70	850	1125	625	1000	1727	788
JK-90MT	805	805	75	900	723	1670	2310	1030	100	1070	1325	700	1130	1940	1189
JK-100MT	905	905	75	1000	793	1865	2410	1080	100	1070	1425	770	1250	2175	1295

Fan type JK-30MT

Technical data

Motor: IP 55

Supplied with the following motors:

kW	amp.	Weight of motor kg
3,0	5,7	25
4,0	7,2	34
5,5	9,9	48
7,5	13,6	55

Max. min⁻¹:

Standard impeller: 3.500 min⁻¹

Operating range:

Air volume: 2,500 - 8,000 m³/h

Pressure: 80 - 370 mmWG

Power supply:

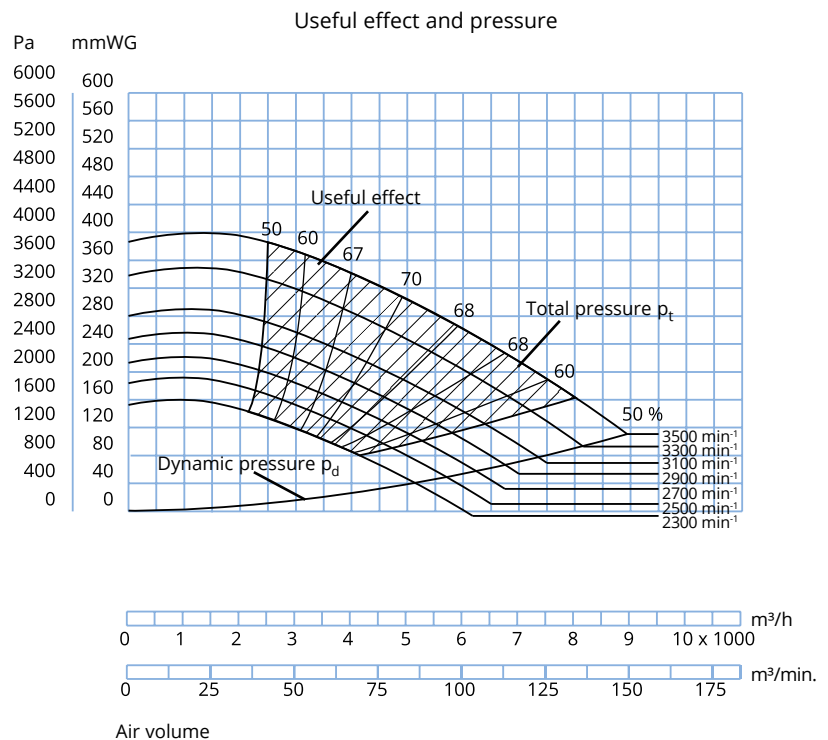
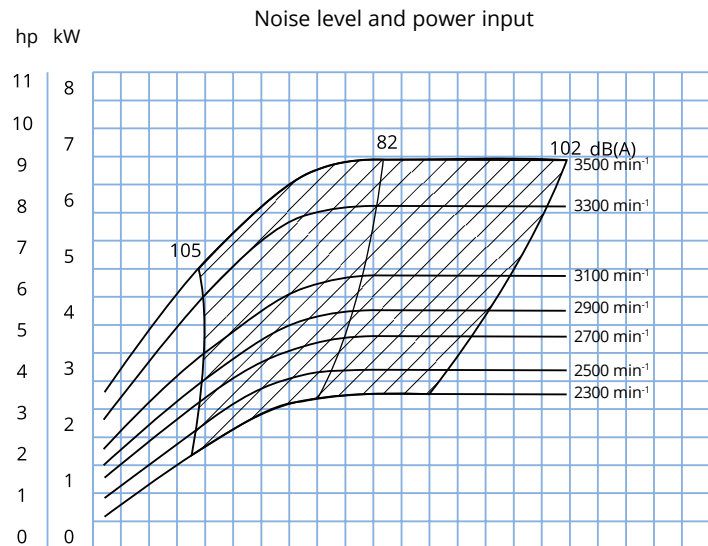
400 V - 50 Hz.

Construction:

Standard.

Impeller:

Standard.



Fan type JK-40MT

Technical data

Motor: IP 55

Supplied with the following motors:

kW	amp.	Weight of motor kg
7,5	13,6	55
11,0	19,4	122
15,0	26,0	137
18,5	32,0	150

Max. min⁻¹:

Standard impeller: 3.500 min⁻¹

Operating range:

Air volume: 4,500 - 17,000 m³/h

Pressure: 100 - 450 mmWG

Power supply:

400 V - 50 Hz.

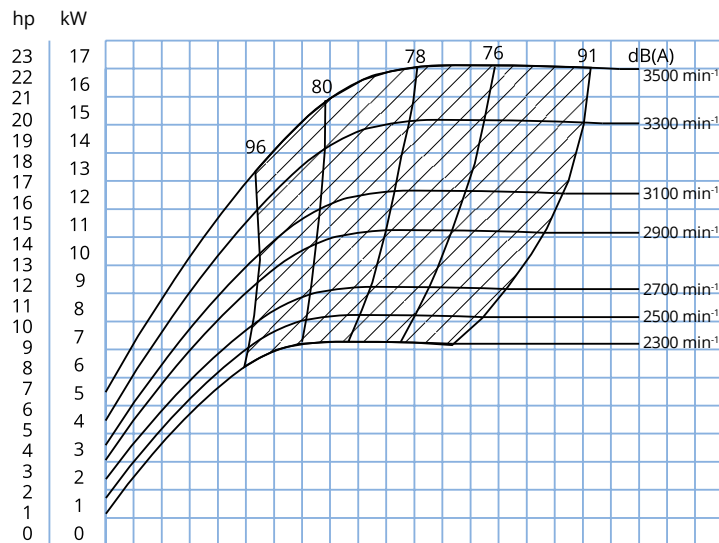
Construction:

Standard.

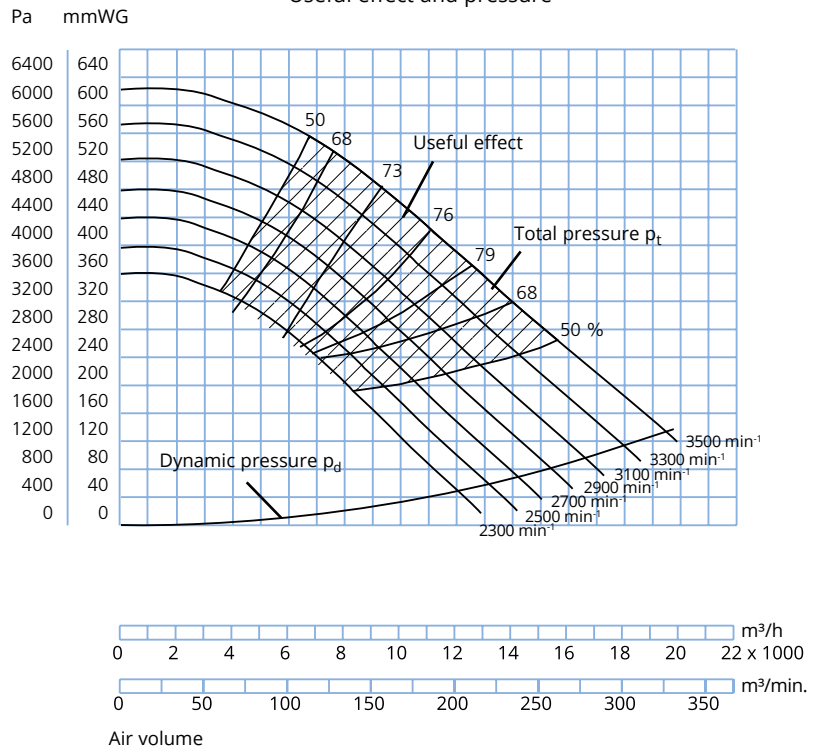
Impeller:

Standard.

Noise level and power input



Useful effect and pressure



Fan type JK-50MT

Technical data

Motor: IP 55

Supplied with the following motors:

kW	amp.	Weight of motor kg
11,0	20,8	122
15,0	28,5	144
18,5	32,5	182
22,0	38,5	209
30,0	53,0	280

Max. min⁻¹:

Standard impeller: 2,450 min⁻¹

Operating range:

Air volume: 6,000 – 28,000 m³/h

Pressure: 120 – 520 mm WG

Power supply:

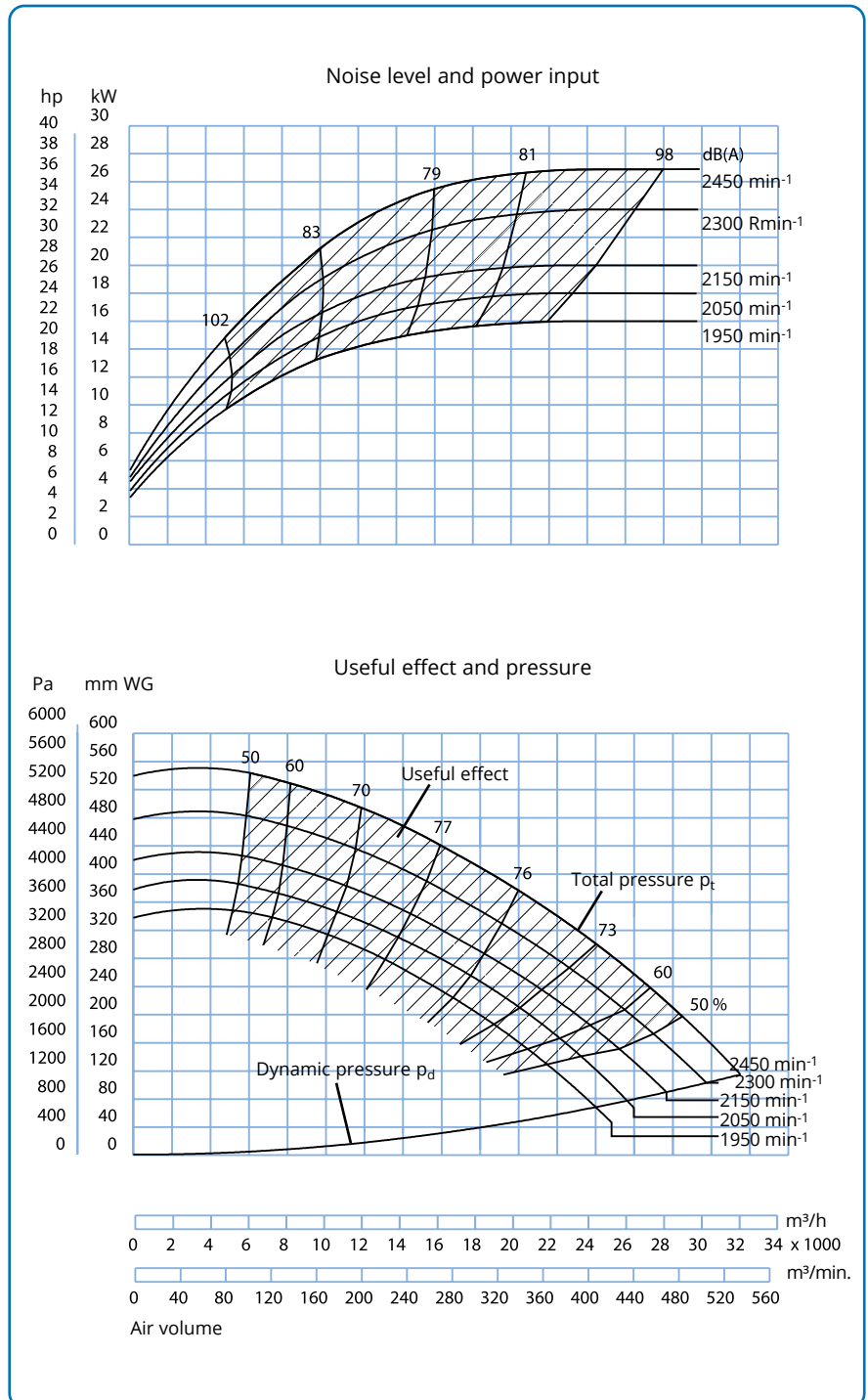
400 V - 50 Hz.

Construction:

Standard.

Impeller:

Standard.



Fan type JK-60MT

Technical data

Motor: IP 55

Supplied with the following motors:

kW	amp.	Weight of motor kg
22,0	38,5	209
30,0	53,0	280
37,0	66,0	308
45,0	77,5	343

Max. min⁻¹:

Standard impeller: 2,350 min⁻¹

Operating range:

Air volume: 9,000 – 39,000 m³/h

Pressure: 160 – 600 mm WG

Power supply:

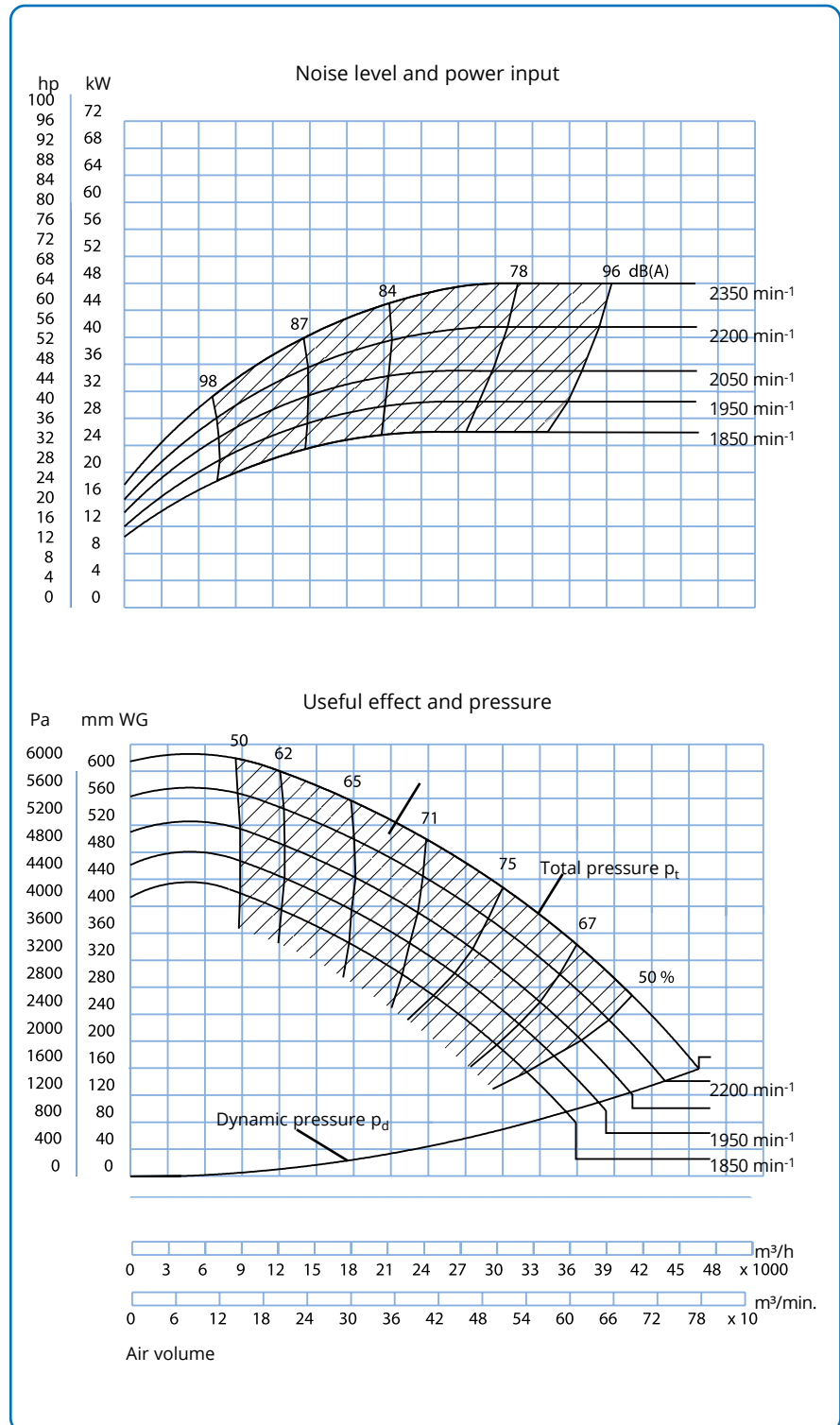
400 V - 50 Hz.

Construction:

Standard.

Impeller:

Standard.



Fan type JK-70MT

Technical data

Motor: IP 55

Supplied with the following motors:

kW	amp.	Weight of motor kg
30,0	53,0	280
37,0	66,0	308
45,0	77,5	343
55,0	96,0	456
75,0	124	565

Max. min⁻¹:

Standard impeller: 2,050 min⁻¹

Operating range:

Air volume: 12,000 – 54,000 m³/h

Pressure: 150 – 600 mm WG

Power supply:

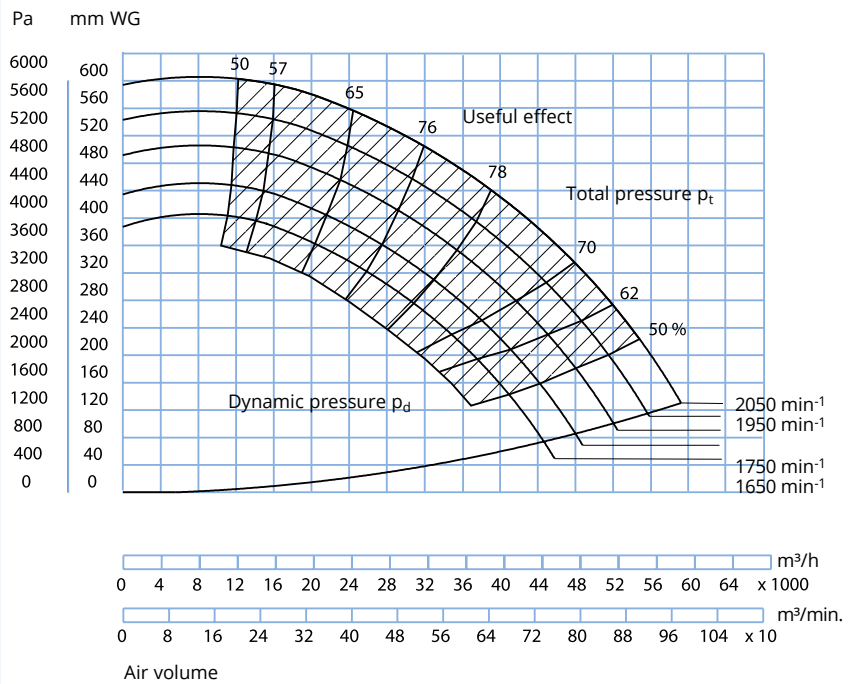
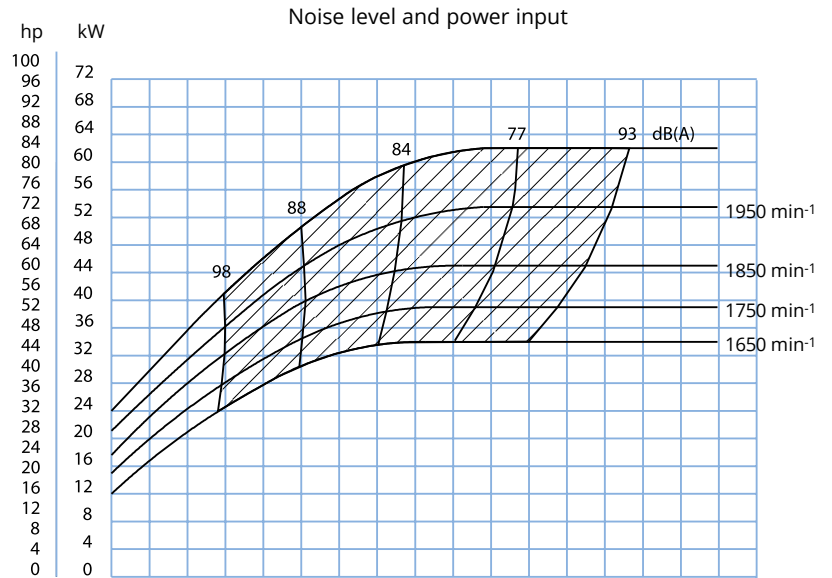
400 V - 50 Hz.

Construction:

Standard.

Impeller:

Standard.



Fan type JK-80MT

Technical data

Motor: IP 55

Supplied with the following motors:

kW	amp.	Weight og motor
37,0	66,0	308
45,0	77,5	343
55,0	96,0	456
75,0	124	565
90,0	150	657

Max. min⁻¹:

Standard impeller: 1,850 min⁻¹

Operating range:

Air volume: 16,000 – 64,000 m³/h

Pressure: 160 – 560 mm WG

Power supply:

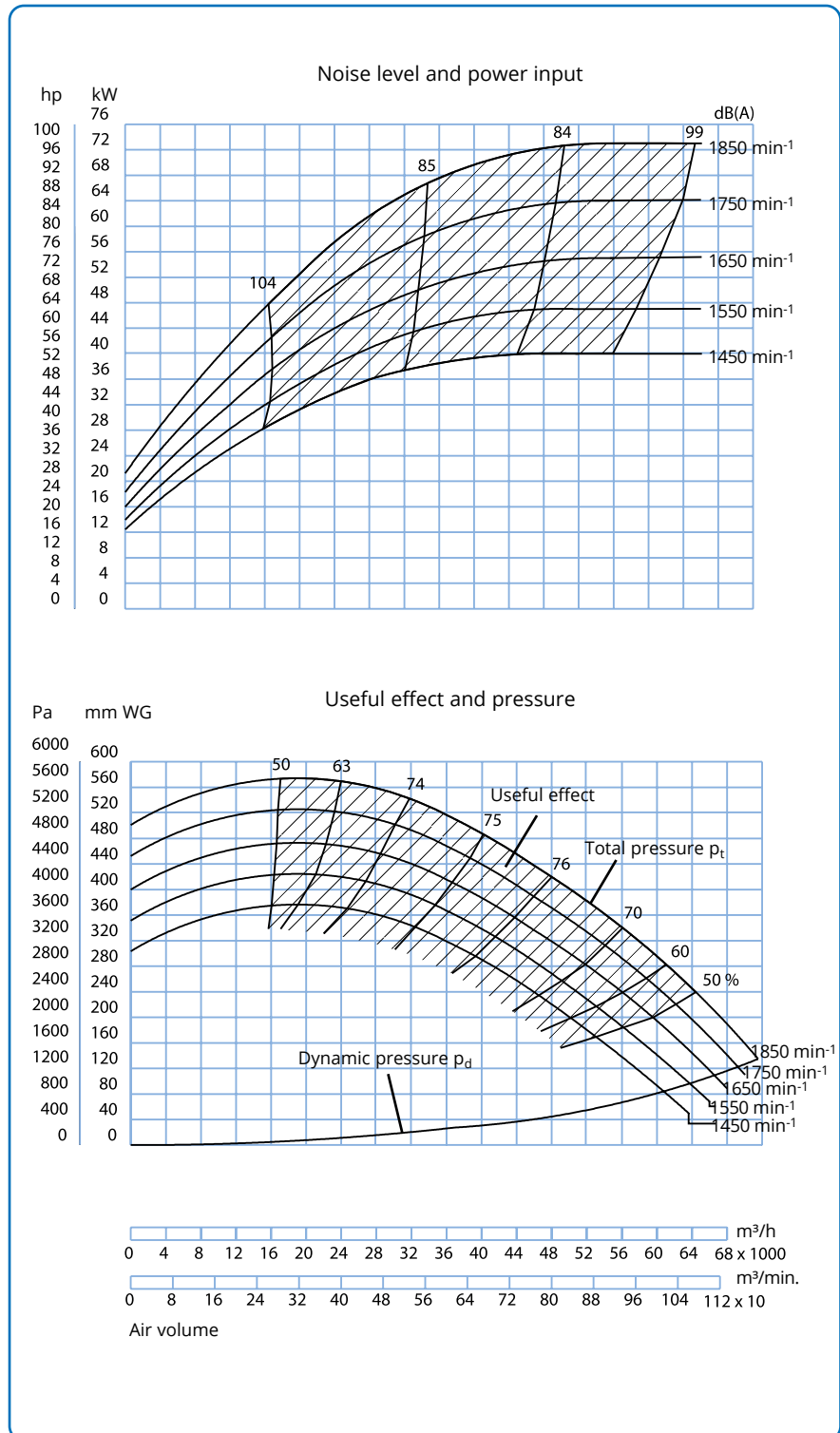
400 V - 50 Hz.

Construction:

Standard.

Impeller:

Standard.



Fan type JK-90MT

Technical data

Motor: IP 55

Supplied with the following motors:

kW	amp.	Weight og motor
45,0	77,5	343
55,0	96,0	456
75,0	124	565
90,0	150	657
110	186	876

Max. min⁻¹:

Standard impeller: 1,450 min⁻¹

Operating range:

Air volume: 25,000 – 70,000 m³/h

Pressure: 150 – 460 mm WG

Power supply:

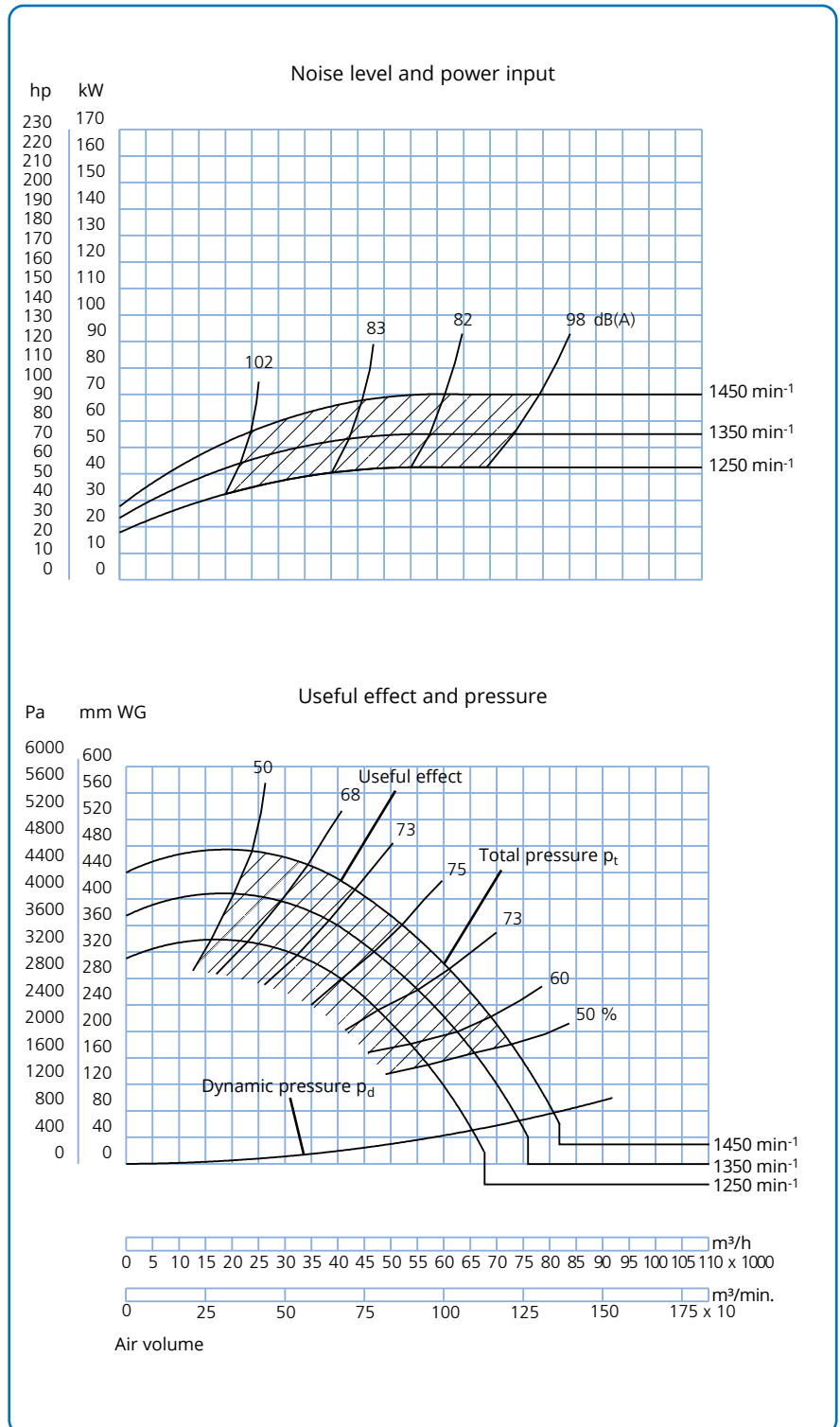
400 V - 50 Hz.

Construction:

Standard.

Impeller:

Standard.



Fan type JK-100MT

Technical data

Motor: IP 55

Supplied with the following motors:

kW	amp.	Weight of motor
55,0	96,0	456
75,0	124	565
90,0	150	657
110	186	876
132	220	994

Max. min⁻¹:

Standard impeller: 1,450 min⁻¹

Operating range:

Air volume: 25,000 – 110,000 m³/h

Pressure: 140 – 560 mm WG

Power supply:

400 V - 50 Hz.

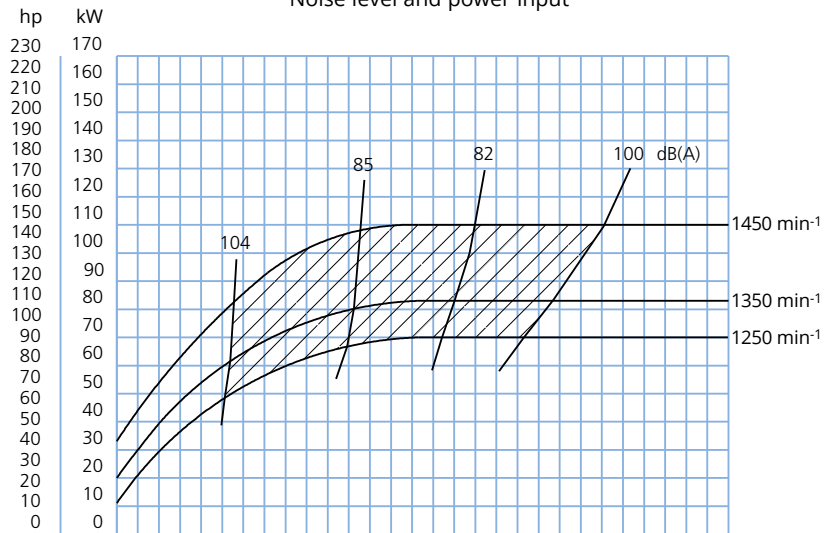
Construction:

Standard.

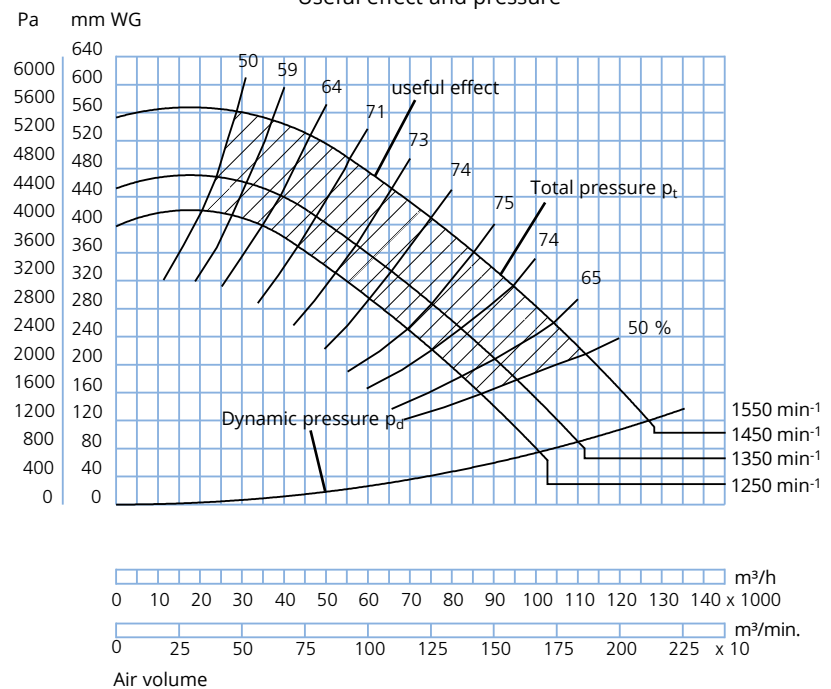
Impeller:

Standard.

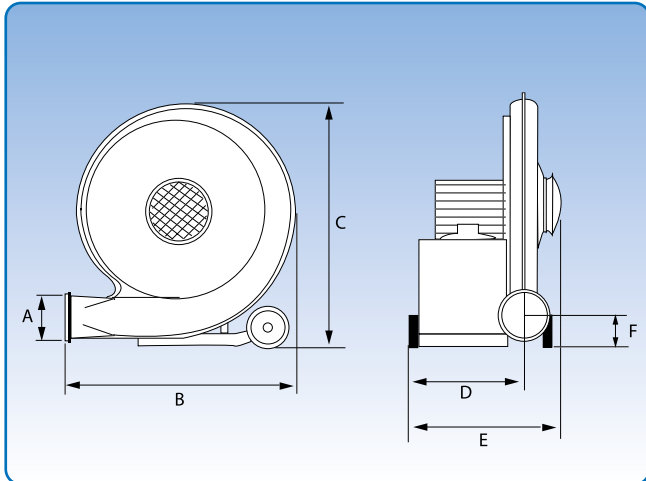
Noise level and power input



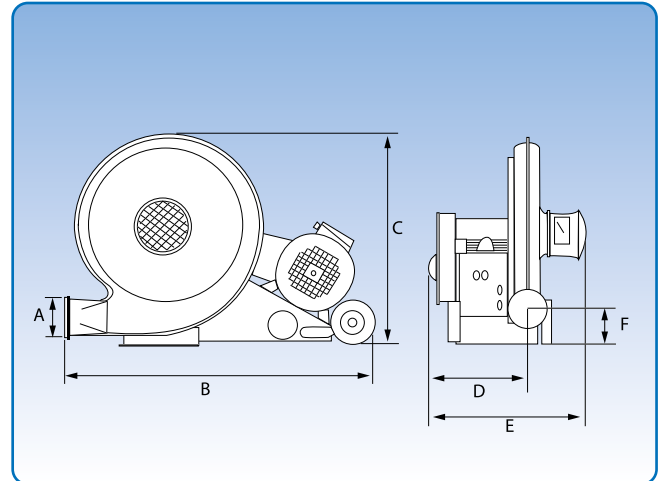
Useful effect and pressure



High-pressure fans type JK-HT



Types JK-2HT - JK-7HT with direct drive. JK-5HT is only available with throttle valve. Dimensional specifications are given in the table below.



Type JK-10HT and JK-15HT with indirect drive. Dimensional specifications are given in the table below.

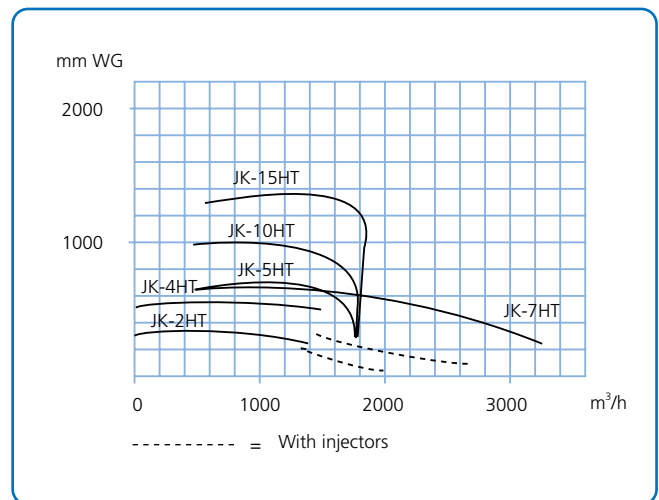
The JK-HT high-pressure fans are one-step centrifugal fans with sealed impellers. They are designed for transport of granular material with a density of between 0.2 and 1.2 tons/m³.

The material is delivered via a duct system using an injector or feeder unit. Material must never be transported through the fan.

The rotor is manufactured with backward-inclined blades. The aerodynamic design ensures high efficiency with low energy consumption.

The JK-2CFA and JK-3CFA feeder units or the injectors 2, 4 and 5 can be mounted on the high-pressure fans.

Ideal for transport, ventilation and extraction.



Type	Dimensions						Noise level at 7m dB(A)	Min. fuse rating amp.	Power consumption amp.
	A mm	B mm	C mm	D mm	E mm	F mm			
JK-2HT	JK-6"	635	675	335	485	130	64	10	3,4
JK-4HT	JK-6"	755	840	420	580	120	64	16	6,3
JK-5HT	JK-6"	755	840	420	670	129	77	16	8,5
JK-7HT	JK-6"	755	860	420	580	140	71	20	11,5
JK-10HT	JK-6"	1140	830	435	695	120	73	25	15,5
JK-15HT	JK-6"	1140	830	435	695	120	81	35	21,5

High-pressure fans type JK-HT Technical data

Type JK-2HT

Motor size: 1.5 kW (2 hp)
 min⁻¹: 2,850 min⁻¹
 Max. air volume: 1,900 m³/h
 Max. air pressure: 250 mm WG
 Rotor speed: 2,850 min⁻¹
 Weight: 35 kg

Type JK-4HT

Motor size: 3 kW (4 hp)
 min⁻¹: 2,850 min⁻¹
 Max. air volume: 2,600 m³/h
 Max. air pressure: 350 mm WG
 Rotor speed: 2,850 min⁻¹
 Weight: 67 kg

Type JK-5HT

Motor size: 4 kW (5.5 hp)
 min⁻¹: 2,850 min⁻¹
 Max. air volume: 1,800 m³/h
 Max. air pressure: 650 mm WG
 Rotor speed: 2,850 min⁻¹
 Weight: 76 kg

Type JK-7HT

Motor size: 5.5 kW (7.5 hp)
 min⁻¹: 2,850 min⁻¹
 Max. air volume: 3,200 m³/h
 Max. air pressure: 650 mm WG
 Rotor speed: 2,850 min⁻¹
 Weight: 96 kg

Type JK-10HT

Motor size: 7.5 kW (10 hp)
 min⁻¹: 2,850 min⁻¹
 Max. air volume: 1,800 m³/h
 Max. air pressure: 950 mm WG
 Rotor speed: 3,650 min⁻¹
 Weight: 129 kg

Type JK-15HT

Motor size: 11 kW (15 hp)
 min⁻¹: 2,850 min⁻¹
 Max. air volume: 1,800 m³/h
 Max. air pressure: 1,300 mm WG
 Rotor speed: 4,200 min⁻¹
 Weight: 157 kg

Common specifications:

Motor: IP 55
 Power supply: 3 x 400 V - 50 Hz

High pressure fans

High pressure fans	L _{eq} (m)
JK-2HT + injector 2	4.5
JK-4HT + injector 4	5.7
JK-5HT/JK-7HT + injector 5	5.9
JK-5HT/JK-7HT + JK-2CFA	7.4
JK-10HT + JK-2CFA	8.9
JK-15HT + JK-2CFA/JK-3CFA	9.2

Transport capacity:

Air temperature = 20°C
 Air pressure = 760 mm Hg

Horizontal and vertical duct lines with min. 2 m of straight ducts only between bends etc.

Transport capacity (tons/h) for barley, rye and maize:

Transport length (m)	10	20	30	40	50	60	80	100	120	150	200
JK-2HT + Injector 2	2.5	2.0	1.7	1.4	1.2	1.0	0.7	0.5			
JK-4HT + Injector 4	4.3	3.6	3.0	2.6	2.3	2.0	1.6	1.2			
JK-5HT-JK-7HT + Injector 5	4.7	3.9	3.3	2.9	2.5	2.2	1.8	1.4	1.1	0.8	
JK-5HT-JK-7HT + JK-2CFA	8.7	7.4	6.4	5.6	4.9	4.4	3.5	2.9	2.4	1.8	
JK-10HT + JK-2CFA	16.4	13.8	11.9	10.3	9.1	8.0	6.4	5.2	4.3	3.2	2.0
JK-15HT + JK-2CFA	16.5	15.9	15.3	14.7	13.2	11.7	9.3	7.6	6.2	4.6	2.9
JK-15HT + JK-3CFA	23.9	20.2	17.3	15.0	13.2	11.7	9.3	7.6	6.2	4.6	2.9

Transport capacity (tons/h) for wheat, rape and peas:

Transport length (m)	10	20	30	40	50	60	80	100	120	150	200
JK-2HT + Injector 2	2,3	1,9	1,6	1,3	1,1	0,9	0,7	0,5			
JK-4HT + Injector 4	4,0	3,3	2,8	2,5	2,1	1,9	1,5	1,1			
JK-5HT-JK-7HT + Injector 5	4,3	3,7	3,1	2,7	2,4	2,1	1,6	1,3	1,1	0,8	
JK-5HT-JK-7HT + JK-2CFA	8,2	6,9	6,0	5,2	4,6	4,1	3,3	2,7	2,2	1,7	
JK-10HT + JK-2CFA	15,3	12,9	11,1	9,7	8,5	7,5	6,0	4,9	4,0	3,0	1,9
JK-15HT + JK-2CFA	18,5	17,9	16,2	14,1	12,3	10,9	8,7	7,1	5,8	4,3	2,7
JK-15HT + JK-3CFA	22,3	18,8	16,2	14,1	12,3	10,9	8,7	7,1	5,8	4,3	2,7

Transport capacity (tons/h) for oats:

Transport length (m)	10	20	30	40	50	60	80	100	120	150	200
JK-2HT + Injector 2	2,5	2,0	1,7	1,4	1,2	1,0	0,7	0,5			
JK-4HT + Injector 4	4,3	3,6	3,0	2,6	2,3	2,0	1,6	1,2			
JK-5HT-JK-7HT + Injector 5	4,7	3,9	3,3	2,9	2,5	2,2	1,8	1,4	1,1	0,8	
JK-5HT-JK-7HT + JK-2CFA	8,7	7,4	6,4	5,6	4,9	4,4	3,5	2,9	2,4	1,8	
JK-10HT + JK-2CFA	11,9	11,6	11,2	10,3	9,1	8,0	6,4	5,2	4,3	3,2	2,0
JK-15HT + JK-2CFA	11,9	11,6	11,2	10,9	10,5	10,2	9,3	7,6	6,2	4,6	2,9
JK-15HT + JK-3CFA	19,8	19,3	17,3	15,0	13,2	11,7	9,3	7,6	6,2	4,6	2,9

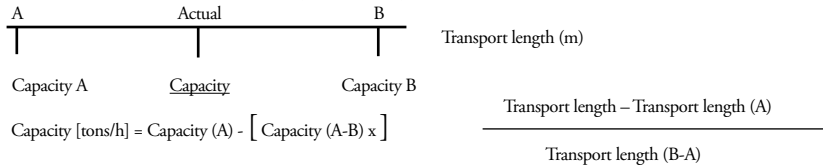
Capacity calculation:

Capacities given in the table apply to horizontal duct line + 4 m vertical ducts + 2 x 90° bends + outlet cyclone.

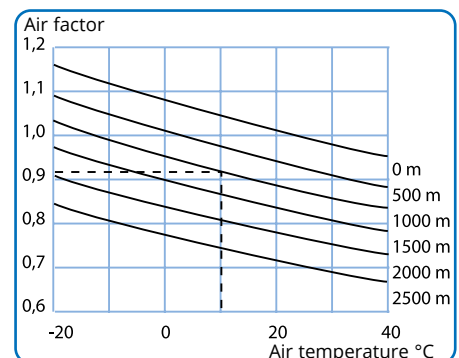
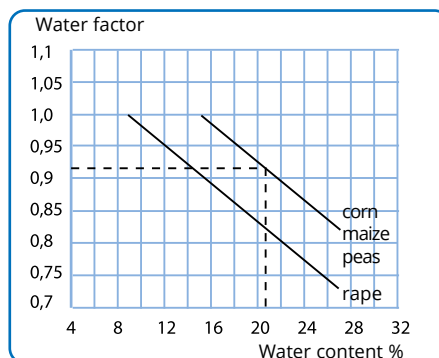
- Transport length (m) = (horizontal length) + (vertical length) + (vertical length x 1.2) + ((number of 90° bends - 2) x L_{eq}) + (number of 30° bends x 1/3 L_{eq}) + (number of 45° bends x 1/2 L_{eq}) + (number of 60° bends x 2/3 L_{eq}) - 4.8.

L_{eq} can be read from the table (bottom left) for actual combination of components.

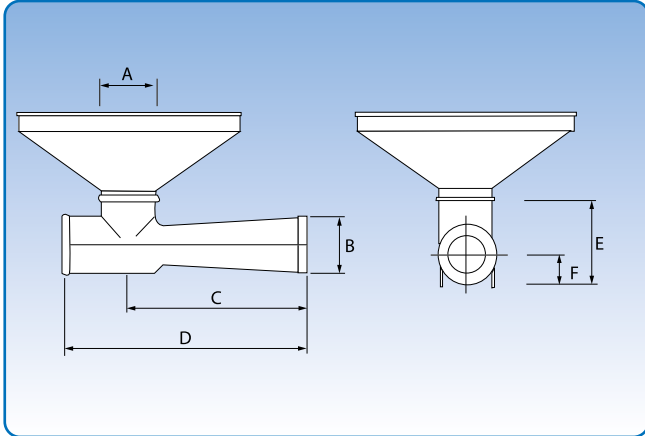
- Capacity is read from the above tables using transport length as follows:



- Capacity corrected for water content + temperature + pressure. Correction factor can be seen in the diagrams below. Corrected capacity = Capacity x water factor x air factor.
 Note that calculated capacity is intended as a guide only, as leaks, grain size etc. can affect capacity.

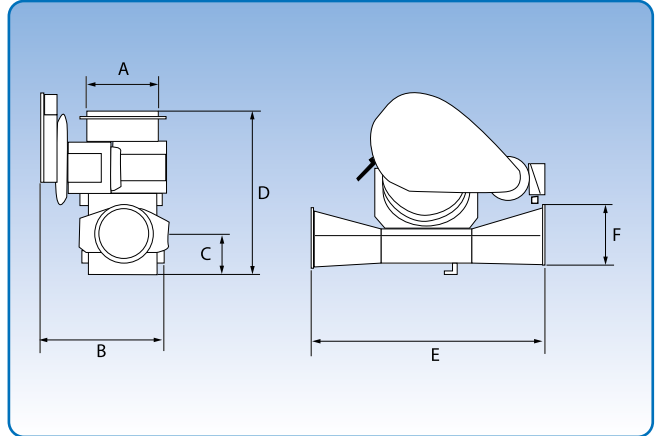


Injectors and feeder units



Injector. Dimensional specifications are given in the table below.

The injectors are designed for mounting on high-pressure fan types JK-2HT, JK-4HT, JK-5HT and JK-7HT.



Feeder unit. Dimensional specifications are given in the table below.

The feeder unit types JK-2CFA and JK-3CFA are designed for pneumatic transport in horizontal ducting.

They can be mounted in horizontal duct lines and withstand dust and pebbles taken in with the grain.

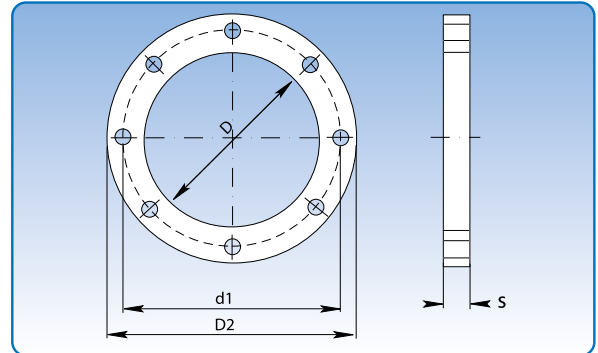
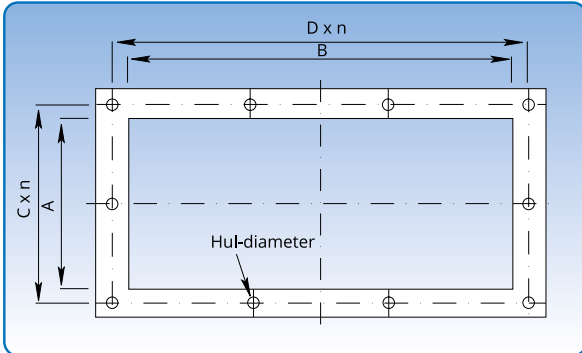
The rotor blades in the feeder units are rubber instead of steel, which flex when struck by hard objects in the air flow, avoiding being damaged.

Designed for use with JK-5HT, JK-7HT, JK-10HT and JK-15HT high-pressure fans where JK-15HT can be mounted with either JK-2CFA or JK-3CFA.

Type feeder units	A	B	C	D	E	F
JK-8"		370	110 - 130	445 - 465	660	JK-6"
JK-8"		460	120	495	850	JK-6"

Type injectors	A	B	C	D	E min.	F max.
Type 2	JK-6"	JK-6"	500	670	220 - 275	100 - 155
Type 4	JK-6"	JK-6"	500	670	220 - 275	100 - 155
Type 5	JK-6"	JK-6"	500	670	220 - 275	100 - 155

Square flanges type A and round flanges



Square flange type A and round flanges.
Dimensional specifications are given in the table below.

Square flanges	Dimensions						
	Fan type	A mm	B mm	C x n mm	D x n mm	Hole diameter mm	Material mm
JK-20D	140	140	85 x 2	85 x 2	11	30 x 6	1,04
T-200K/JK-22D	166	166	98 x 2	98 x 2	11	30 x 6	1,20
JK-25D	186	186	108 x 2	108 x 2	11	30 x 6	1,32
JK-30D/JK-30K	206	206	118 x 2	118 x 2	11	30 x 6	1,44
JK-35D	226	226	128 x 2	128 x 2	11	30 x 6	1,69
JK-40D/JK-40K	251	251	94 x 3	94 x 3	11	30 x 6	1,69
JK-30MTD/JK-30MT	251	251	94 x 3	94 x 3	11	30 x 6	1,71
T-300K	326	226	85 x 3	119 x 3	11	30 x 6	1,71
JK-45K	339	339	123 x 3	123 x 3	11	30 x 6	1,22
JK-40MTD/JK-40MT	350	350	95 x 4	95 x 4	11	30 x 6	2,14
JK-55K	418	418	112 x 4	112 x 4	11	30 x 6	2,74
JK-50MTD/JK-50MT	455	455	124 x 4	124 x 4	12	40 x 6	3,70
JK-60MTD/JK-60MT	505	505	109 x 5	109 x 5	12	40 x 6	4,00
JK-75K	555	704	119 x 5	124 x 6	12	40 x 6	5,14
JK-70MTD/JK-70MT	605	605	129 x 5	129 x 5	12	40 x 6	4,80
JK-80MTD/JK-80MT	705	705	149 x 5	149 x 5	12	40 x 6	5,58
JK-90MTD/JK-90MT	805	805	141 x 6	141 x 6	12	40 x 6	6,33
JK-100MT	905	905	135 x 7	135 x 7	12	40 x 6	7,10

Round flanges	Diameter nominal mm	D mm	d1 mm	D2 mm	s mm	Hole diameter mm	No. of huller
*Special flanges							
Fan type							
*JK-30MT /MTD	300	299	336	355	2,5	9	12
JK-30MTDP, JK-30D/K, T-300	300	305	336	355	5	10	12
*JK-40MT /MTD	400	398	439	465	2,5	12	16
JK-40MTDP, JK-40D/K	400	405	439	465	6	12	16
*JK-50MT /MTD	500	500	540	565	2	11	16
JK-50MTDP	500	505	540	565	6	12	16
JK-55MTD, JK-55K	550	555	590	615	6	12	16
*JK-60MT	600	600	640	665	3	11	16
JK-60MTD /MTDP	600	605	640	665	6	12	16
*JK-70MT	700	700	750	785	3	11	24
JK-70MTD /MTDP	700	705	750	785	6	12	24
*JK-80MT	800	800	850	885	3	11	24
JK-80MTD /MTDP	800	805	850	885	6	12	24
*JK-90MT	900	900	950	985	3	11	24
JK-90MTD /MTDP	900	905	950	985	6	12	24
*JK-100MT	1000	1000	1050	1085	3	11	24
JK-20D/T-200	200	205	235	255	5	10	12
JK-22D	225	230	260	280	5	10	12
JK-25D	250	255	285	305	5	10	12
JK-35D	350	355	389	415	5	12	12
JK-45K	450	455	489	515	6	12	16
JK-75K	750	755	800	835	6	12	24

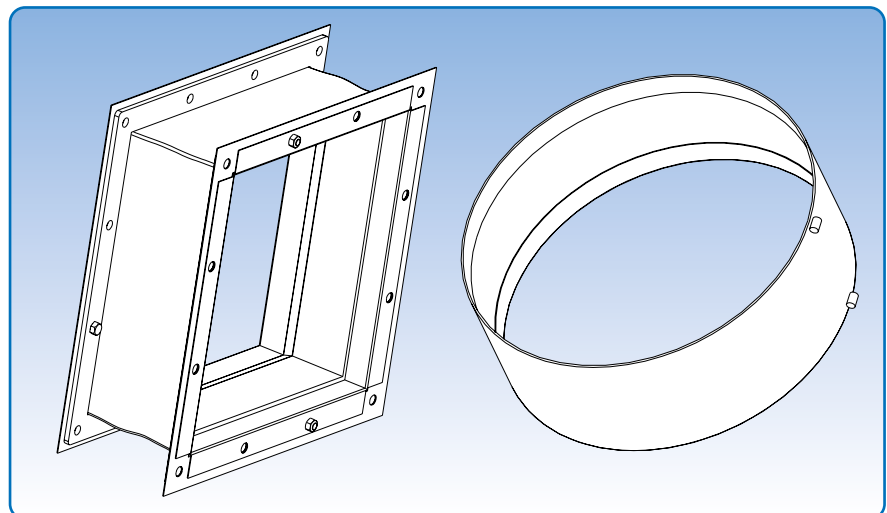
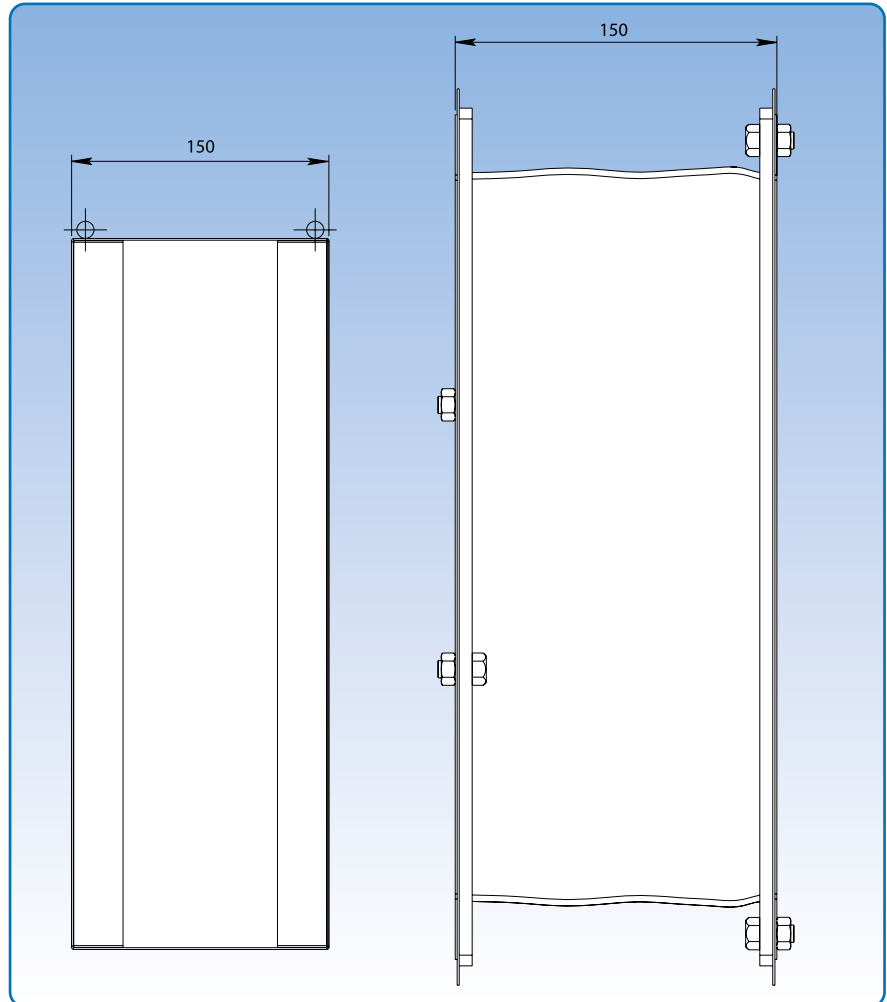
Flexible connections

Circular and square flexible connections are available, with or without steel insert.

They are designed to fit the inlets and outlets of the fan range. Other dimensions can be produced to order.

A steel insert is usually included for transport fans and without for clean air fans.

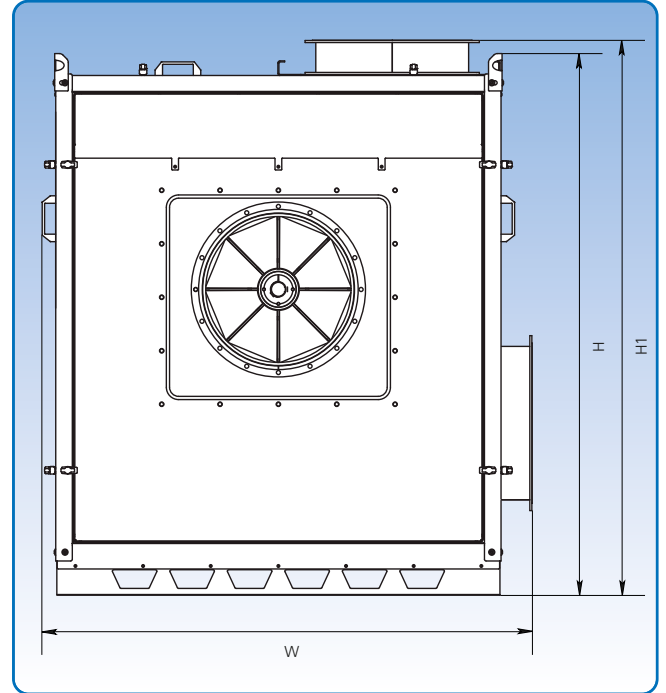
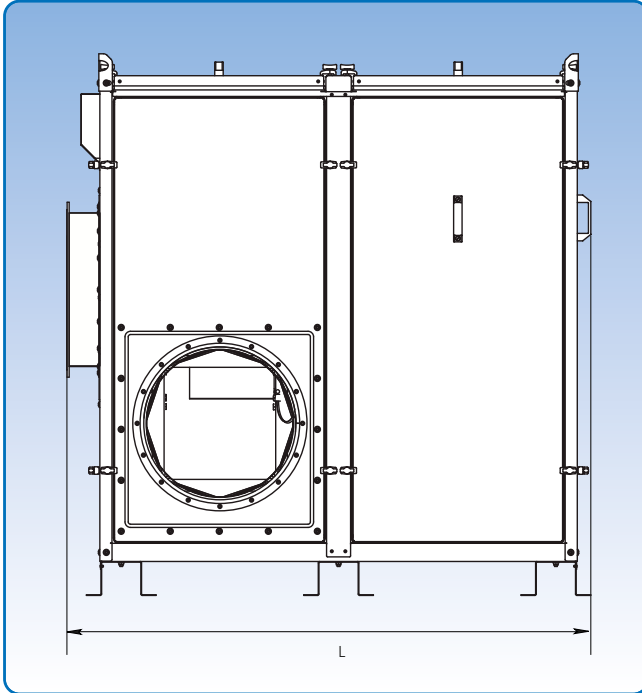
They can also be fitted in standard duct systems.



Square with steel insert.

Circular without steel insert.

Acoustic booths type AB



For dimensional specifications, see below.

The type AB acoustic booths are used for noise reduction. The acoustic booths are supplied with fitted fan or in kit form.

The acoustic booth is as standard supplied with rotatable flange fitted on in- and outlet. This provides easy connection to the remaining ducting. Acoustic booths are supplied with same dimension of inlet and outlet flange as the fan.

JK-K and JK-D-fans are supplied with smooth inlet if they are mounted in an acoustic booth.

Acoustic booths are assembled by means of clamps that hold the big panels to the steel frame.

At service/inspection you can then quickly remove the sides and have easy access to the fan. The panels are provided with handle for easy handling. The panels tighten with rubber strip against the frame.

Noise and vibrations are in this way reduced. Acoustic booths are made from galvanized sheet (Z275).

The damping material is an environment friendly material, made from recycling material from polyethylene production, covered with foil and fire resistant material.

The acoustic booth is as standard supplied with cooling fan fitted in bottom, for optimum cooling.

Type	Dimensions			Weight kg
	L mm	W mm	H(H1) mm	
AB-20	990	1133	1265 (1305)	139
AB-30	1410	1315	1460 (1499)	198
AB-40	1549	1453	1595 (1633)	252
AB-50	2140	1823	2247	501
AB-60	2500	2071	2477	644
AB-70	2871	2262	2549	871
AB-80	3075	2615	2884	970
AB-85	3075	2615	3135	1013

Acoustic booths type AB

Technical data

Cooling fan is fitted in a sound absorbent box with washable intake filter.

Cooling fan type 4656 Z:

Power supply 230 V, 50/60 Hz

at 230 V, 18 W, 0,1 A

For use with max. 5,5 kW electric motor

For use with type AB-20 and AB-30 acoustic booth

Cooling fan type W 2 E 200 HH 38-05:

Power supply 230 V, 50/60 Hz or 230/400 V, 50/60 Hz

at 230 V, 80 W, 0,35 A

For use with 7,5 – 22 kW electric motor

For use with type AB-30 – AB-50 acoustic booth

Cooling fan type W 2 E 250 HL 06-01:

Power supply 230 V, 50/60 Hz or 230/400 V, 50/60 Hz

at 230 V, 127 W, 0,83 A

For use with 30 – 90 kW electric motor

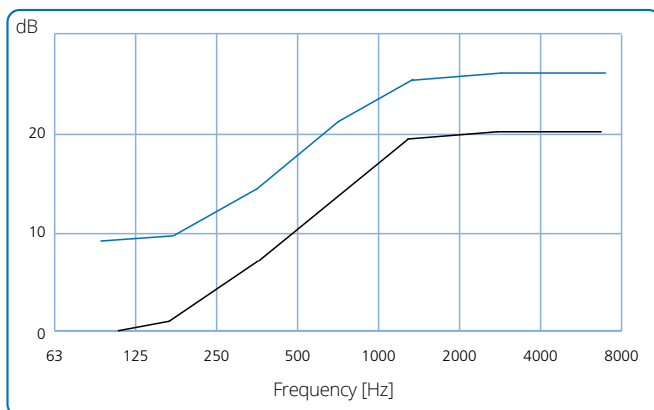
For use with type AB-50 – AB-85 acoustic booth

Noise reduction

The diagram shows the noise-suppression values for fans in acoustic booth.

Individual reports for each combination of fan and acoustic booth can be provided.

Noise measurement made by DELTA.



Black diagram shows general damping values for fans in acoustic booth. Blue diagram shows equivalent damping values, when structure borne noise from fan and acoustic booth is not transmitted.

Fan	Position		
	RV, LO	RN, LN	RO, LV
JK-20D	AB-20	AB-20	AB-20
JK-22D	AB-20	AB-20	AB-20
JK-25D	AB-20	AB-20	AB-20
JK-30D	AB-20	AB-20	AB-20
JK-35D	AB-30	AB-30	AB-30
JK-40D	AB-30	AB-30	AB-30
JK-30K	AB-30	AB-30	AB-30
JK-40K	AB-40	AB-40	AB-40
JK-45K	AB-40	AB-40	AB-50*
JK-55K	AB-50	AB-50	AB-50
JK-75K	AB-60	AB-60	AB-60
T-200K/D	AB-40	AB-40	AB-40
T-300K/D	AB-50	AB-50	AB-50
JK-30MTD/MTDP	AB-30	AB-30	AB-30
JK-40MTD/MTDP	AB-30	AB-30	AB-40*
JK-50MTD/MTDP	AB-50	AB-50	AB-50
JK-55MTD	AB-60	AB-60	AB-60
JK-60MTD/MTDP	AB-60	AB-60	AB-60
JK-70MTD/MTDP	AB-60	AB-60	AB-70*
JK-80MTD/MTDP	AB-70	AB-70	AB-80*
JK-90MTD/MTDP	AB-70	AB-80*	AB-80*
JK-30MT	AB-30	AB-30	AB-30
JK-40MT	AB-40	AB-40	AB-40
JK-50MT	AB-50	AB-50	AB-50
JK-60MT	AB-50	AB-50	AB-50
JK-70MT	AB-60	AB-60	AB-60
JK-80MT	AB-60	AB-60	AB-70*
JK-90MT	AB-70	AB-80*	AB-80*
JK-100MT	AB-80	AB-80	AB-85*

Choice of acoustic booth:

* The fan can with alternative position, be installed in a smaller acoustic booth.

Duct silencers

Diameter: 100 mm - 1250 mm.

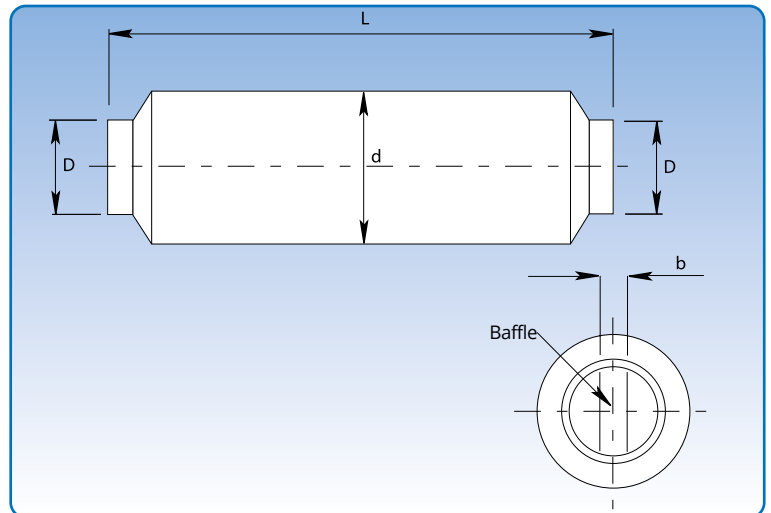
The duct silencers are used for noise-suppression in ducting systems.

They are made of galvanised steel sheet, lined with sound-absorbent material

Can be supplied for fitting to rapid lock pull rings [f.lyn], pull rings [f.b], wide pull rings [f.bb] or loose flanges [f.b.m.fl].

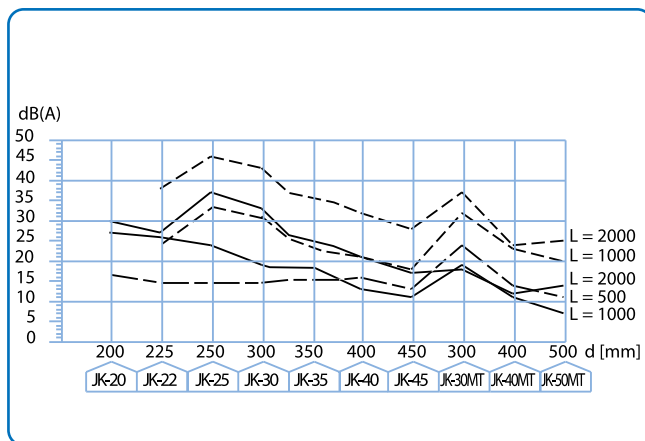
Duct silencers with an internal diameter of > 250 mm can be supplied with baffles.

They can be fitted internally with perforated plates for ducting carrying light materials, or insulation material as options.

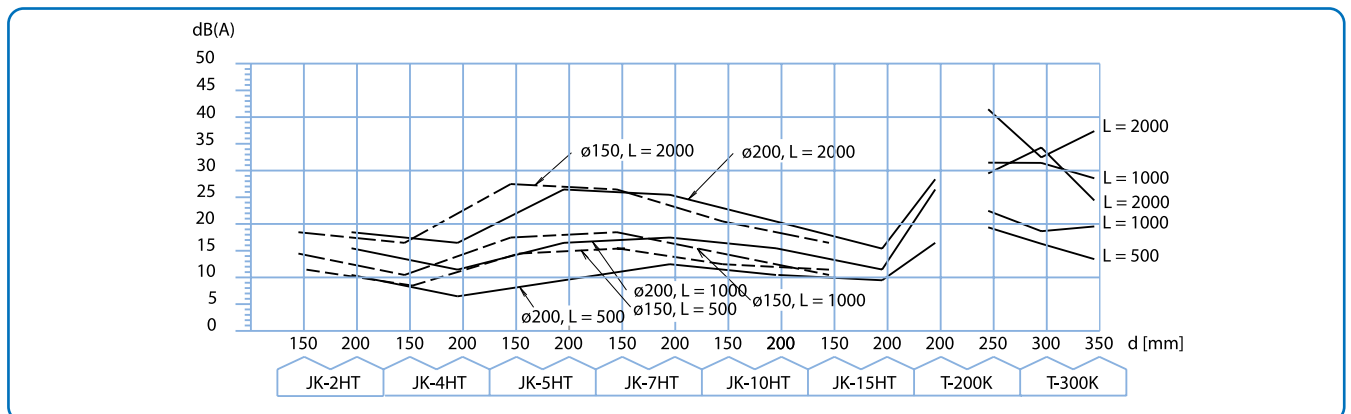
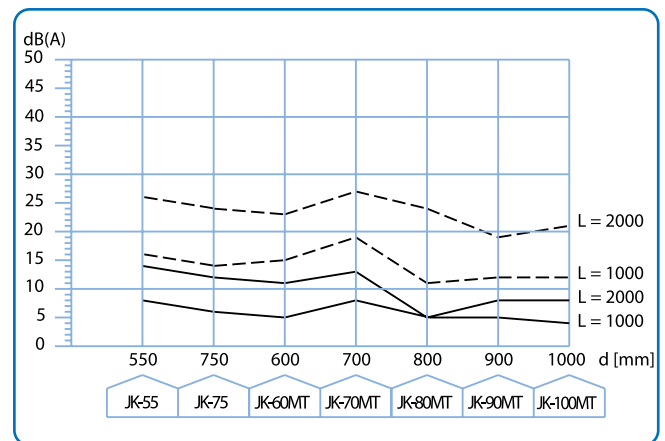


The diagrams show the noise-suppression values for fans and high-pressure fans under the operating conditions stated on the brochure pages.

Authorised measurement of noise levels has been performed on the duct silencers.



----- = with baffle ————— = without baffle



The diagrams show the noise-suppression values in dB(A) for fans.

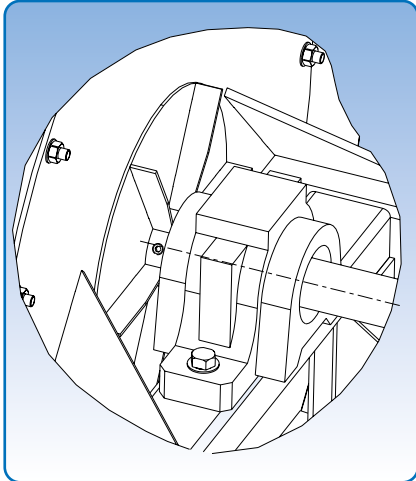
Duct silencers

Technical data

Noise-suppression values in dB(A) for various frequency bands.

Dimensions				Frequency bands							Weight kg
D mm	d mm	L mm	b mm	Hz 63	Hz 125	Hz 250	Hz 500	Hz 1000	Hz 2000	Hz 4000	
100	300	500		3	12	25	42	35	31	21	6
120	320	500		3	10	19	33	27	24	16	6
125	325	500		3	9	19	32	26	23	15	6,5
140	340	500		2	9	18	30	26	23	15	7
150	350	500		2	9	17	28	24	22	15	7
160	360	500		2	8	16	26	22	20	13	8
180	380	500		1	8	14	24	20	18	13	8,5
200	400	500		1	7	13	22	18	16	11	9
200	400	1000		3	13	25	42	35	31	21	17
225	425	500		1	6	11	20	16	15	10	10
225	425	1000		2	11	22	38	31	28	19	18
250	450	1000		2	10	20	34	28	25	17	20
250	450	1000	100	7	16	27	47	50	43	38	25
275	475	1000		2	10	19	32	26	22	16	21
275	475	1000	100	6	15	26	44	48	38	44	26
300	500	1000		2	9	17	29	23	18	14	22
300	500	1000	100	6	13	25	41	46	33	50	28
315	515	1000		2	8	16	27	21	17	11	24
315	515	1000	100	5	12	22	39	44	31	27	30
350	550	1000		2	7	14	24	18	15	9	26
350	550	1000	100	4	10	20	36	39	28	23	32
400	600	1000		2	6	12	21	14	13	8	29
400	600	1000	100	4	9	18	31	35	25	20	36
450	650	1000		3	6	11	19	11	11	6	32
450	650	2000		5	11	19	38	20	17	10	60
450	650	1000	100	4	8	15	29	31	21	17	40
450	650	2000	100	7	14	28	50	50	37	32	73
500	700	1000		4	6	11	19	8	8	4	37
500	700	2000		6	11	18	35	16	14	8	66
500	700	1000	100	5	7	14	25	28	20	15	45
500	700	2000	100	8	13	25	47	50	37	30	80
550	750	1000		3	5	10	17	8	7	4	38
550	750	2000		5	10	17	32	15	13	7	71
550	750	1000	100	4	6	13	22	26	18	14	47
550	750	2000	100	7	12	23	42	50	35	27	86
600	800	1000		3	5	9	15	7	6	3	42
600	800	2000		5	9	16	28	14	12	6	77
600	800	1000	100	4	6	11	20	24	16	11	52
600	800	2000	100	7	11	20	38	46	32	21	93
630	830	1000	100	4	6	11	18	22	15	10	54
630	830	2000	100	7	11	20	34	42	30	20	97
650	850	1000	100	3	6	10	17	21	14	9	55
650	850	2000	100	5	11	19	31	41	27	17	100
700	900	1000	200	5	7	14	24	21	24	14	69
700	900	2000	200	8	14	26	45	42	46	27	123
750	950	1000	200	5	6	11	20	18	17	11	74
750	950	2000	200	8	12	21	38	36	33	20	131
800	1000	1000	200	4	6	11	19	17	16	10	79
800	1000	2000	200	7	12	21	36	34	30	19	139
850	1050	1000	200	3	5	10	17	16	15	9	84
850	1050	2000	200	5	11	19	32	32	29	18	147
900	1100	1000	200	3	5	10	15	15	14	9	89
900	1100	2000	200	5	11	18	30	30	27	17	155
950	1150	1000	200	3	5	9	14	14	13	8	94
950	1150	2000	200	5	10	17	27	27	25	16	164
1000	1200	1000	200	3	5	9	14	13	13	8	99
1000	1200	2000	200	5	10	17	26	25	24	15	172
1250	1450	1000	200	2	4	7	11	11	10	5	126
1250	1450	2000	200	4	7	13	20	21	19	11	214

Vibration dampers, cooling wings, gaskets, pullers

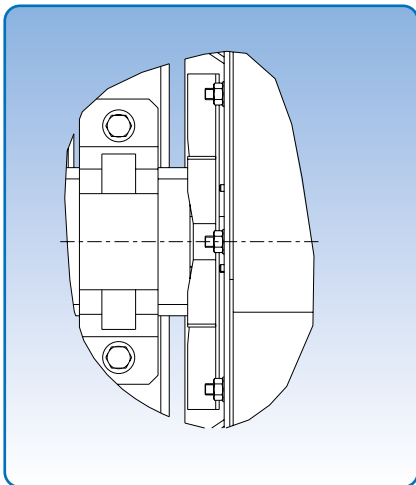


Cooling wings

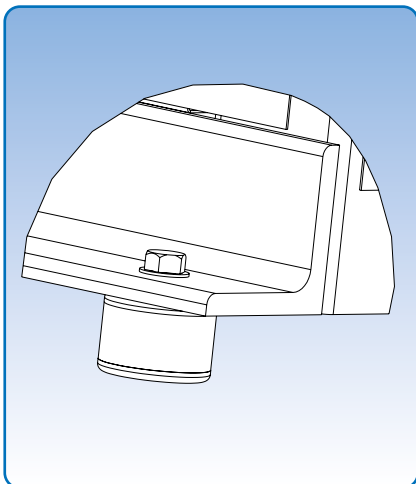
Cooling wings are mounted between the fan housing backplate and the bearing nearest the fan housing.

They are used when the fan is working with hot air and necessary for temperatures over 60°C. For temperatures over this mark the bearing housing is filled with temperature-resistant, high quality grease.

The cooling wings are secured to the fan drive shaft, and they are designed to protect the bearings.



Cooling wings

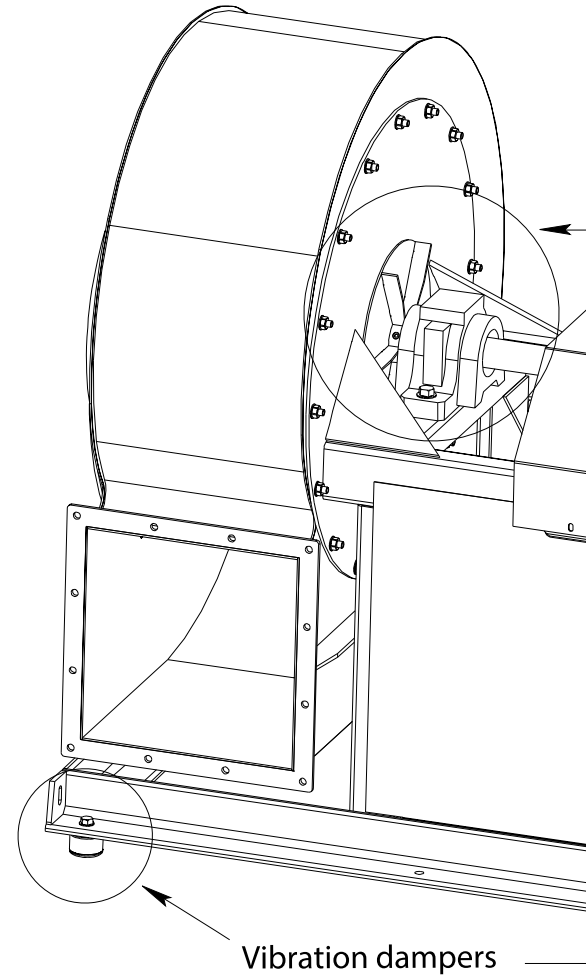


Vibration dampers

Vibration dampers are always used in combination with flexible connections on the inlet and outlet of the fan – never alone.

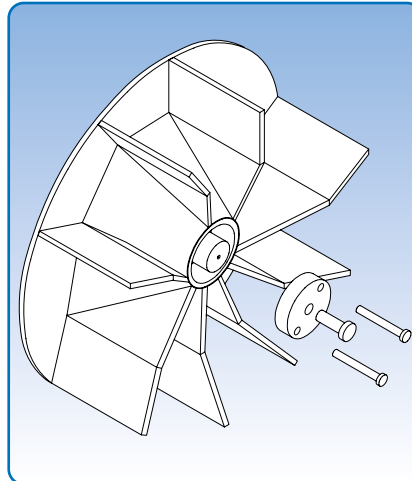
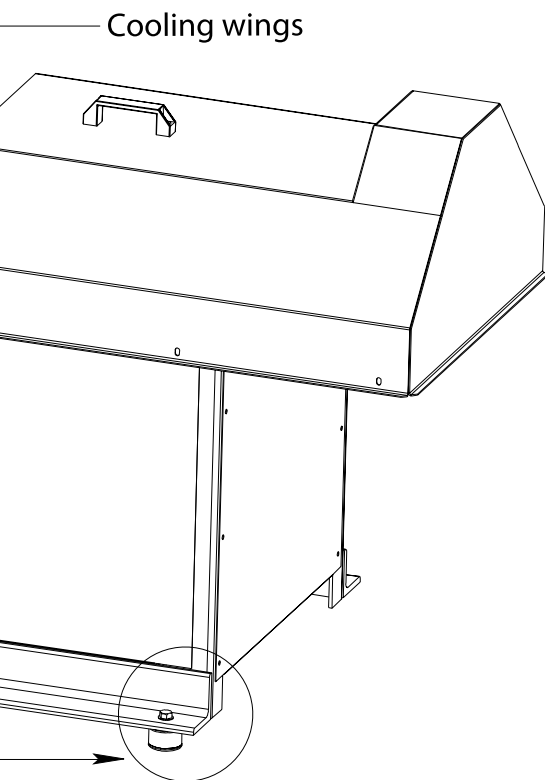
The dimensions of vibration dampers are governed by the total weight of the fan.

There are threads on both sides for fitting.



Vibration dampers

Vibration dampers, cooling wings, gaskets, pullers

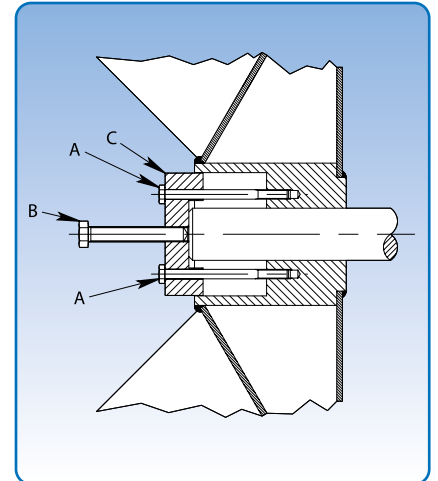


Pullers

Pullers for impellers

The pullers are available in three versions as optional extras for all JK-D and JK-K fans.

- No. 1: JK-20D, JK-22D, JK-25D, JK-30D, JK-30MTD, JK-30MT, JK-35D, JK-30K, JK-40K, JK-40MT
- No. 2: JK-40D, JK-45K, T-200K, JK-40MTD, JK-50MT
- No. 3: JK-55K, JK-75K, T-300K, JK-60MT, JK-70MT, JK-80MT, JK-90MT, JK-100MT



Installation guide

Mounting

Remove taperlock and adaptor ring.

Fit disk C into impeller hub.

Tighten bolts A.

Tighten bolt B.

Pull impeller over the shaft.

Disk C can be used as a drilling template for hubs with no screw holes.



THE WAY TO CLEAN AIR



JKF Industri A/S
Rørsangervej 5, Als
9560 Hadsund
Denmark
Tel: +45 98581211
info@neujkf.dk
www.jkf.dk

NEU-JKF Sp. z o.o.,
Berzyna 81,
64-200 Wolsztyn
Poland
Tel: +48 683470700
info@neu-jkf.pl
www.neu-jkf.pl

NEU-JKF Asia Sdn. Bhd.
Lot 8521, Jalan Persiaran Galla,
Galla Industrial Park, 70200 Seremban
N.S.D.K., Malaysia
Tel: +60 67649861
info@neujkf.asia
www.neujkf.asia